

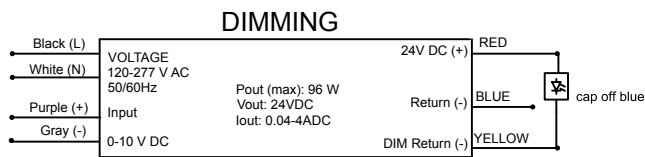
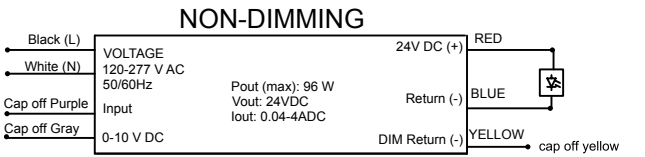
Linear - Constant Voltage driver information

Please refer to driver manufacturer's website for current data sheets and wiring guidelines.

| LINEAR FEET PER DRIVER - CONSTANT VOLTAGE | | | | | |
|---|---------|----------------|---------|----------|------------|
| Driver | Wattage | Power [W / Ft] | | | |
| | | L [3.0] | M [6.0] | H [10.0] | RGBW [8.0] |
| S* | 96W | 24'-0" | 12'-0" | 6'-0" | - |
| D010* | 96W | 24'-0" | 12'-0" | 6'-0" | - |
| L3DAE | 40W | 12'-0" | 6'-0" | 4'-0" | - |
| L3D0E | 96W | 24'-0" | 12'-0" | 6'-0" | - |
| EL96* | 96W | 24'-0" | 12'-0" | 6'-0" | - |
| DMX* | 96W | 24'-0" | 12'-0" | 6'-0" | 8'-0" |

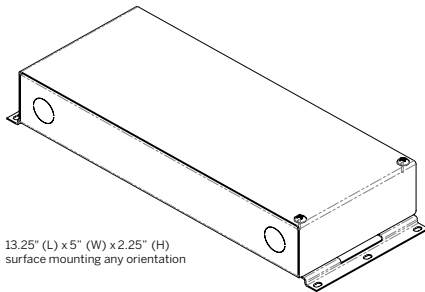
* Linear Feet per Driver assumes 80% reduction from full load.

S / D010 - EldoLED, Non-Dim or 10% 0-10V dimming, 120-277V [spec sheet](#)



Warning: if not connected to a 0-10V dimmer, driver **MUST** be wired as Non-dim. Not doing so can cause the driver and the fixtures to fail prematurely.

Dry Location Enclosure



Compatible/Recommended dimmers and interfaces*:

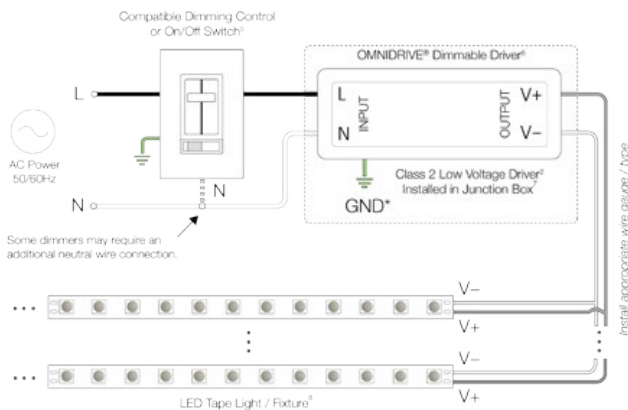
- Lutron Diva DVSTV (Wallbox dimmer)
- Lutron Nova T NTSTV (Wallbox dimmer)
- Lutron Maestro MS-Z101/MS-Z101-V (Wallbox dimmer/sensor)
- Lutron PowPak 0-10V RMJ-5T-DV-B (Energi Tripak)
- Lutron GRX-TVI (0-10V interface for Grafik QS and some commercial dimming panels)
- Lutron TVI-LMF-2A (EcoSystem to 0-10V interface)
- Lutron QSN-4T16-S (Energi Savr Node 0-10V)
- Lutron TVM2 module (HomeWorks and commercial dimming panels)

*Consult factory for any dimmer not listed

| Maximum wiring distance* | | | | |
|--------------------------|--------|-----------------|-----------------|-----------------|
| | | Load per driver | | |
| | | ≤48W | ≤72W | ≤96W |
| Wire gauge | #18AWG | 37 ft (11.3 m) | 25 ft (7.6 m) | 18 ft (5.5 m) |
| | #16AWG | 59 ft (18 m) | 39 ft (11.9 m) | 29 ft (8.8 m) |
| | #14AWG | 95 ft (29 m) | 63 ft (19.2 m) | 47 ft (14.3 m) |
| | #12AWG | 151 ft (46 m) | 101 ft (30.8 m) | 75 ft (22.9 m) |
| | #10AWG | 241 ft (73.5 m) | 160 ft (48.8 m) | 120 ft (36.6 m) |

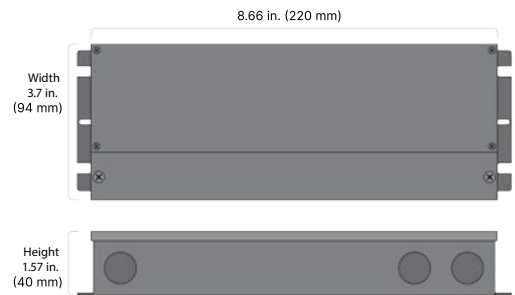
* Voltage drop guide for 24VDC. Actual Voltage drop to be calculated by installer.

DPH = Phase Dimming, 1% dimming, 120V only [spec sheet](#)



Dry Location Enclosure

ODX-24V96W-J



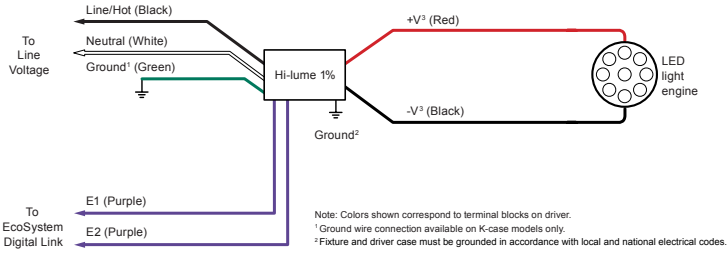
Compatible/Recommended dimmers and interfaces*:

- LUTRON: Ariadni - AYLV-600P
- LUTRON: Homeworks QS - HQRD 6ND
- LUTRON: Radio RA2 - RRD-10ND
- LUTRON: Ariadni - AYCL-153P
- LUTRON: Maestro - MACL-153M
- LUTRON: Radio RA2 - RRD-6CL WH
- LUTRON: Caseta - PD-6WCCL
- LUTRON: Maestro - MAELV-600
- LUTRON: Verti - VT-1000MN
- LUTRON: Caseta - PD-5NE
- LUTRON: Maestro - MRF2-6ND-120
- LEVITON: Decora - DSE06-10Z
- LUTRON: Caseta - PD-10NXD
- LUTRON: Maestro - MA-PRO
- LEVITON: Illumitech - IP10-LFZ
- LUTRON: Caseta - DVRF-6
- LUTRON: Nova T* CL - NTCL 250
- LEVITON: Decora Smart - DW6HD-1BZ
- LUTRON: Diva - DVELV-300P
- LUTRON: Nova T - NTLV-603P
- LEGRAND: Paddle - ADPD453LW2
- LUTRON: Diva - DVCL-153-P
- LUTRON: Nova T - NTFTV
- MISC.: Forbes & Lomax MLV - FLRLV603P
- LUTRON: Diva - DV600P
- LUTRON: Nova - NFTV
- MISC.: Forbes & Lomax INC/HAL - FLR603P
- LUTRON: Diva - 0-10V DDTV
- LUTRON: Homeworks - HWD 6ND WH

*Consult factory for any dimmer not listed

Linear - Constant Voltage driver information

L3DAE = Lutron Hi-lume 1% EcoSystem, 120-277V spec sheet



Dry Location Enclosure

Case type KL

K-case mounted on a 4" (102 mm) W x 1.5" (38 mm) H x 4" (102 mm) L junction box to provide wiring compartment



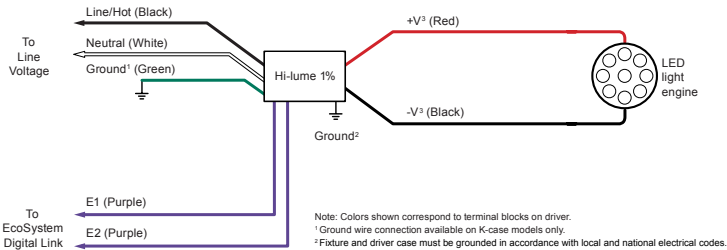
| EcoSystem Controls | | | |
|--------------------------------------|-------------------------|-----------------------|---------|
| Product | Model Number | Drivers per Control | Dimming |
| PowPak dimming module with EcoSystem | RMJ-ECO32-DV-B 3 | 32 per EcoSystem link | 100%-1% |
| | FCJ-ECO, FCJS-ECO | 3 per EcoSystem link¹ | 100%-1% |
| Energi Savr Node with EcoSystem | 2QSN-1ECO-S, QSN-2ECO-S | 64 per EcoSystem link | 100%-1% |
| GRAFIK Eye QS with EcoSystem | QSGRJ-_E, QSGR-_E | 64 per EcoSystem link | 100%-1% |
| Quantum | Various | 64 per EcoSystem link | 100%-1% |

1 Up to 3 drivers controlled as a single zone (broadcast EcoSystem).

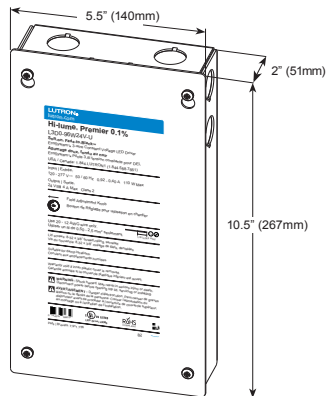
| Maximum wiring distance* | | | | |
|--------------------------|--------|----------------|----------------|-----------------|
| | | 10 V to 20 V | 20.5 V to 40 V | 40.5 V to 60 V |
| Wire gauge | 24 AWG | 2.5 ft (0.8 m) | 4 ft (1.2 m) | 8 ft (2.4 m) |
| | 22 AWG | 4 ft (1.2 m) | 6 ft (1.8 m) | 12 ft (3.7 m) |
| | 20 AWG | 6 ft (1.8 m) | 10 ft (3 m) | 20 ft (6.1 m) |
| | 18 AWG | 10 ft (3 m) | 15 ft (4.6 m) | 30 ft (9.1 m) |
| | 16 AWG | 15 ft (4.6 m) | 25 ft (7.6 m) | 50 ft (15.2 m) |
| | 14 AWG | 25 ft (7.6 m) | 40 ft (12.2 m) | 75 ft (22.9 m) |
| | 12 AWG | 40 ft (12.2 m) | 60 ft (18.3 m) | 100 ft (30.5 m) |

Terminal blocks on the drivers accept only solid 18 or 16 AWG (0.75 or 1.5 mm²) wire. To use wire gauges larger or smaller than this terminal blocks' rated gauge of 18 or 16 AWG (0.75 or 1.5 mm²) refer to the Terminal Wiring Gauges diagram at the end of this document. Connect up to 3 ft (0.9 m) of 18 or 16 AWG (0.75 or 1.5 mm²) wire to the LED driver terminal blocks, then connect 14 to 12 AWG (2.5 to 4.0 mm²) or 24 AWG to 20 AWG (0.20 mm² to 0.50 mm²) up to the length allowed in the above table.

L3DOE = Lutron Hi-lume Premier 0.1% EcoSystem, 120-277V spec sheet



Dry Location Enclosure



Drivers are programmed to Linear dimming curve by default. Compatible/Recommended dimmers and interfaces*:

- PowPak Dimming Module with EcoSystem
- Lutron Nova T NTSTV (Wallbox dimmer)
- Lutron Maestro MS-Z101/MS-Z101-V (Wallbox dimmer/sensor)
- Lutron PowPak 0-10V RMJ-5T-DV-B (Energi Tripak)
- Lutron GRX-TVI (0-10V interface for Grafik QS and some commercial dimming panels)
- Lutron TVI-LMF-2A (EcoSystem to 0-10V interface)
- Lutron QSN-4T16-S (Energi Savr Node 0-10V)
- Lutron TVM2 module (HomeWorks and commercial dimming panels)

*Consult factory for any dimmer not listed

| Wire gauge* | Maximum wiring distance* |
|---|--------------------------|
| 24 AWG (0.20 mm ²) ³ | 6 ft (1.8 m) |
| 22 AWG (0.34 mm ²) ³ | 10 ft (3.0 m) |
| 20 AWG (0.50 mm ²) | 15 ft (4.5 m) |
| 18 AWG (0.75 mm ²) | 25 ft (7.62 m) |
| 16 AWG (1.0 mm ²) | 40 ft (12.2 m) |
| 14 AWG (1.5 mm ²) | 60 ft (18.3 m) |
| 12 AWG (2.5 mm ²) | 100 ft (30.5 m) |
| 10 AWG (4.0 mm ²) ³ | 150 ft (45.7 m) |

1 To use wire gauges larger or smaller than terminal blocks' rated gauge of 20 AWG to 12 AWG (0.50 mm² to 2.50 mm²), connect 12 in (30 cm) or less of rated wire from terminal and connect with larger or smaller wire.

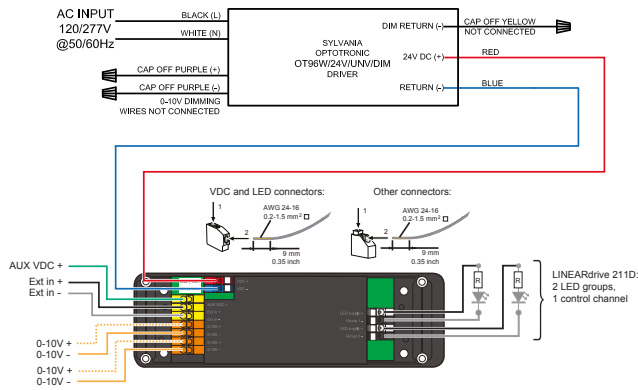
Linear - Constant Voltage driver information

EL96 = Osram / EdoLED, 24V, 1% 0-10V Dimming [Driver spec sheet](#) | [0-10V interface](#)

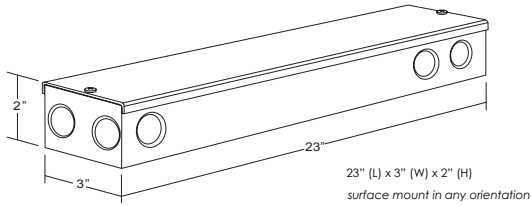
Compatible/Recommended dimmers and interfaces*:

- Lutron Diva DVSTV (Wallbox dimmer)
- Lutron Nova T NTSTV (Wallbox dimmer)
- Lutron Maestro MS-Z101/MS-Z101-V (Wallbox dimmer/sensor)
- Lutron PowPak 0-10V RMJ-5T-DV-B (Energi Tripak)
- Lutron GRX-TVI (0-10V interface for Grafik QS and some commercial dimming panels)
- Lutron TVI-LMF-2A (EcoSystem to 0-10V interface)
- Lutron QSN-4T16-S (Energi Savr Node 0-10V)
- Lutron TVM2 module (HomeWorks and commercial dimming panels)

*Consult factory for any dimmer not listed



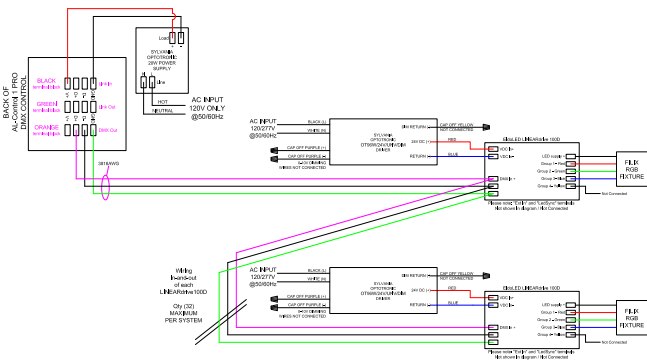
Dry Location Enclosure



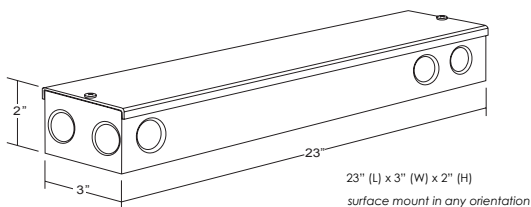
| | | Maximum wiring distance* | | |
|------------|--------|--------------------------|-----------------|-----------------|
| | | Load per driver | | |
| | | ≤48W | ≤72W | ≤96W |
| Wire gauge | #18AWG | 37 ft (11.3 m) | 25 ft (7.6 m) | 18 ft (5.5 m) |
| | #16AWG | 59 ft (18 m) | 39 ft (11.9 m) | 29 ft (8.8 m) |
| | #14AWG | 95 ft (29 m) | 63 ft (19.2 m) | 47 ft (14.3 m) |
| | #12AWG | 151 ft (46 m) | 101 ft (30.8 m) | 75 ft (22.9 m) |
| | #10AWG | 241 ft (73.5 m) | 160 ft (48.8 m) | 120 ft (36.6 m) |

* Voltage drop guide for 24VDC. Actual Voltage drop to be calculated by installer.

EL96-DMX = Osram / EdoLED, 24V, 0.1% DMX Dimming [Driver spec sheet](#) | [DMX interface](#)



Dry Location Enclosure



| | | Maximum wiring distance* | | |
|------------|--------|--------------------------|-----------------|-----------------|
| | | Load per driver | | |
| | | ≤48W | ≤72W | ≤96W |
| Wire gauge | #18AWG | 37 ft (11.3 m) | 25 ft (7.6 m) | 18 ft (5.5 m) |
| | #16AWG | 59 ft (18 m) | 39 ft (11.9 m) | 29 ft (8.8 m) |
| | #14AWG | 95 ft (29 m) | 63 ft (19.2 m) | 47 ft (14.3 m) |
| | #12AWG | 151 ft (46 m) | 101 ft (30.8 m) | 75 ft (22.9 m) |
| | #10AWG | 241 ft (73.5 m) | 160 ft (48.8 m) | 120 ft (36.6 m) |

* Voltage drop guide for 24VDC. Actual Voltage drop to be calculated by installer.