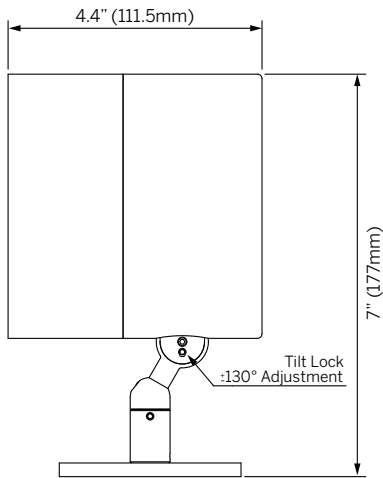


# ZTA.110 Surface



### Luminaire

- Interior rated spot light with fixed focus optics.
- Surface mounted.
- Precision machined from 70 - 90% recycled aluminum.
- 95+ CRI with multiple CCTs and optics available.

### Mounting

- SM = Surface Mounted

### Power<sup>1</sup>

- 12 = 12W (1341lm initial at 350mA, 36.9Vf)
- 36 = 36W (3850lm initial at 1050mA, 37Vf)

### CCT (95+ CRI)<sup>2</sup>

- 927 = 2700K
- 930 = 3000K
- 935 = 3500K
- 940 = 4000K

### Optic

- N1 = Narrow 1 (13°), 12W Only
- N2 = Narrow 2 (18°), 36W Only
- M = Medium (26°), 36W Only
- F = Flood (36°), 36W Only
- WF = Wide Flood (59°), 36W Only

### Finish (interior always matte black)

- W = Pure White, RAL9010
- BL = Matte Black, RAL9005
- CF = Custom finish, specify RAL

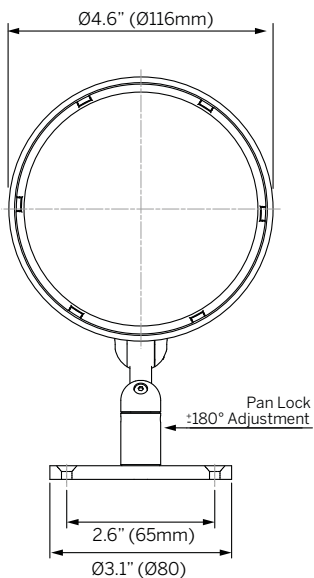
### Accessories<sup>3</sup>

- CL = Clear Lens
- DL = Diffused Lens
- HCL = Honeycomb Louver
- SOL = Solite Lens
- SHS = Sharp Spread Lens
- SOS = Soft Spread Lens

### Remote Driver<sup>4</sup>

- ECO30W-500 = 0-10V EldoLED ECOdrive 30W for 1 fixture
- SOLO50W-500 = 0-10V EldoLED SOLOdrive 50W for 1-2 fixtures (1 per output)
- SOLO100W-500 = 0-10V EldoLED SOLOdrive 100W for 1-4 fixtures (1 per output)

1. Wattage shown is for LED only, system wattage varies depending on driver selected.
2. See photometric data sheet for delivered lumens.
3. Holds up to two accessories. See page 4 for details.
4. See driver information for details.



### Ordering Information

Model	Mounting	Power <sup>1</sup>	CRI/CCT <sup>2</sup>	Optic	Finish	Accessories <sup>3</sup>	+	Driver <sup>4</sup>
MS-ZTA110S	SM							
MS-ZTA110S	SM	12	927	N1	W	CL		ECO30W-500
		36	930	N2	BL	DL		SOLO50W-500
			935	M	CF	HCL		SOLO100W-500
			940	F		SOL		
				WF		SHS		
						SOS		

