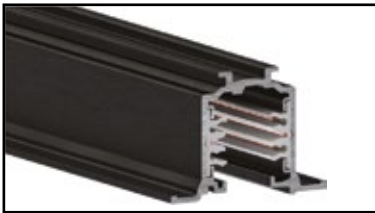




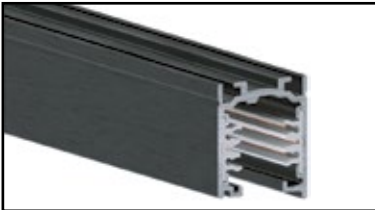
**Recessed
Surface
Suspended**

ONETRACK UL - Recessed 120V 3 Circuits



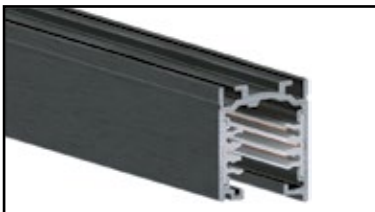
	4.0ft	8.0ft
White	OT-120-3-REC-WH-4F	OT-120-2-REC-WH-8F
Black	OT-120-3-REC-BK-4F	OT-120-2-REC-BK-8F

ONETRACK UL - Suspended 120V 3 Circuits

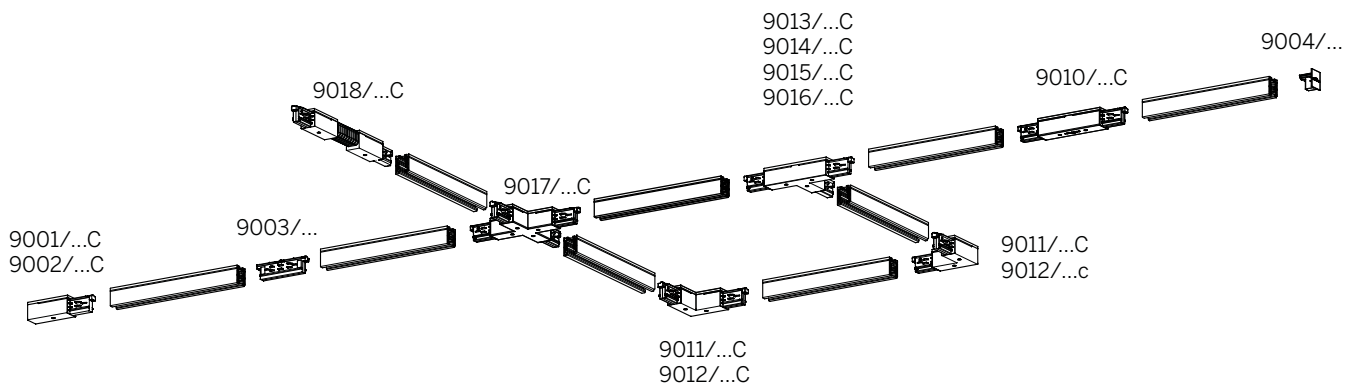


	4.0ft	8.0ft	12.0ft
White	OT-120-3-SUS-WH-4F	OT-120-3-SUS-WH-8F	OT-120-3-SUS-WH-12F
Black	OT-120-3-SUS-BK-4F	OT-120-3-SUS-BK-8F	OT-120-3-SUS-BK-12

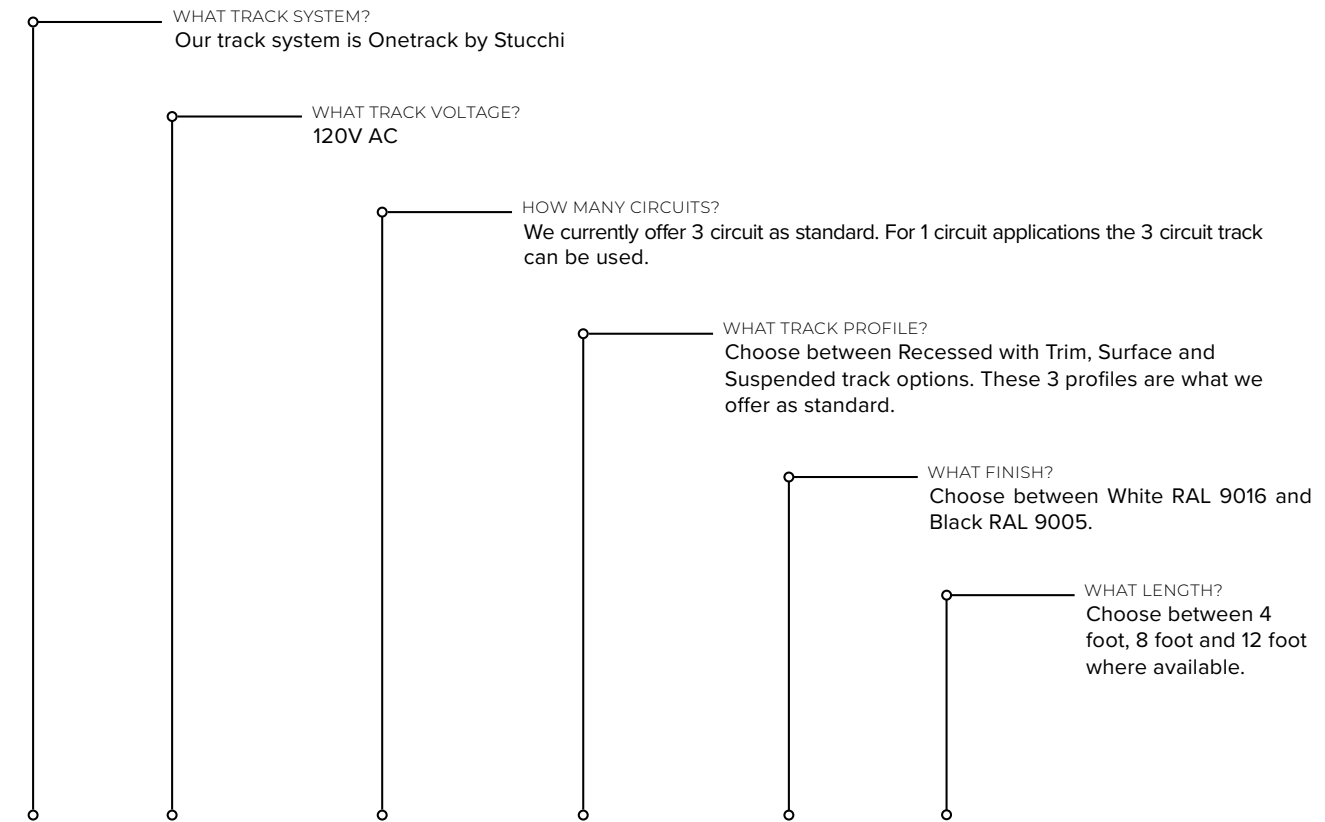
ONETRACK UL - Surface 120V 3 Circuits



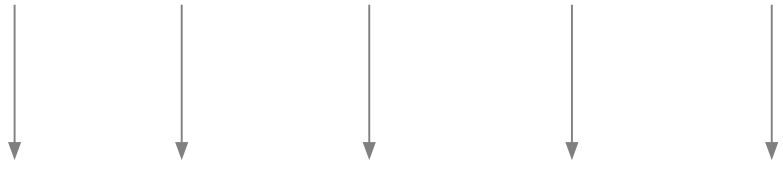
	4.0ft	8.0ft	12.0ft
White	OT-120-3-SUR-WH-4F	OT-120-3-SUR-WH-8F	OT-120-3-SUR-WH-12F
Black	OT-120-3-SUR-BK-4F	OT-120-3-SUR-BK-8F	OT-120-3-SUR-BK-12F



How to specify track



TRACK	TRACK VOLTAGE	CIRCUITS	PROFILE	FINISH	LENGTH
OT - OneTrack	120 - 120V AC	3 - 3	REC - Recessed Trimmed SUR - Surface SUS - Suspended	BK - Black WH - White	4F - 4 Foot 8F - 8 Foot 12F - 12 Foot



TRACK	TRACK VOLTAGE	CIRCUITS	PROFILE	FINISH	TYPE
OT - OneTrack	120 - 120V AC	3 - 3	REC - Recessed Trimmed SUR - Surface SUS - Suspended	BK - Black WH - White	EFR - End Feed Right EFL - End Feed Left JCN - Jointing Connector ... - Continued per track profile

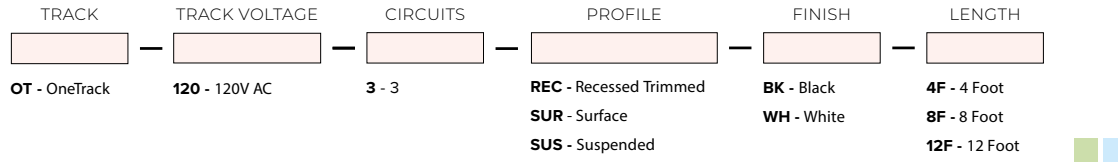
Ensure that your selection of Track, Voltage, Circuits, Profile and Finish matches between the Track and Accessories.

WHAT TRACK ACCESSORY/CONNECTOR?
When choosing track accessories and connectors pay attention to polarity requirements. We offer as standard a slimmed down Onetrack range of accessories to cover the essentials. If there is an item you require not seen here please contact us.

Code Builder

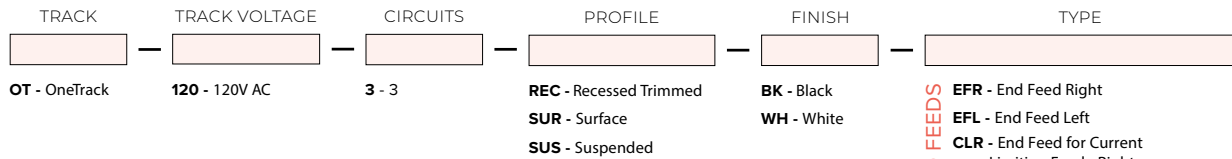


TRACK



12ft Length only available as Surface and Suspended track.

ACCESSORIES



- Recessed
- Surface
- Suspended
- These items are raw aluminium finish

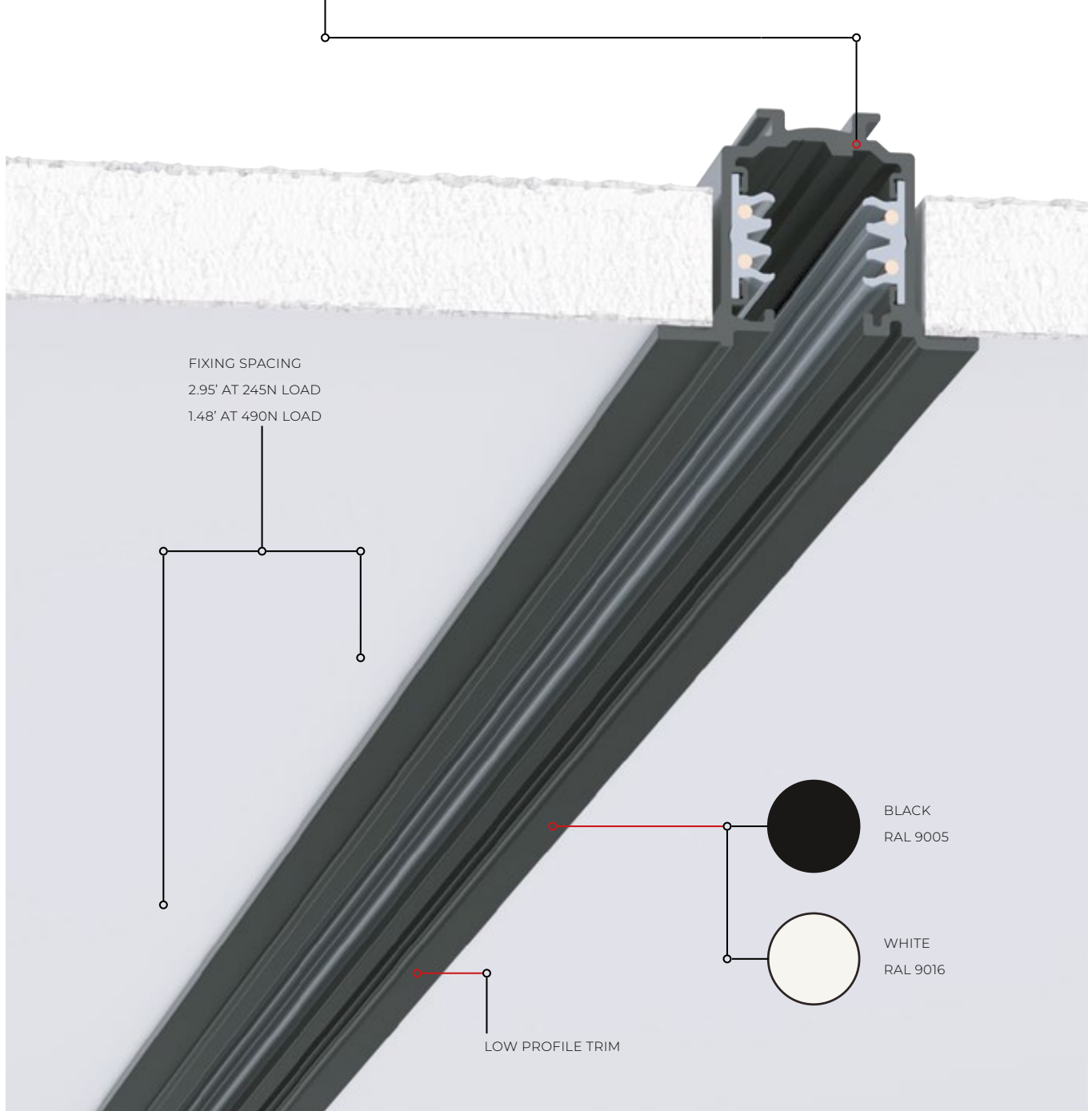
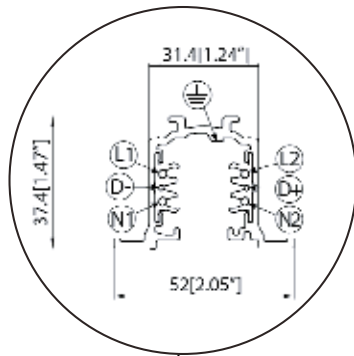
- COUPLERS**
- MJ - Middle Joint
 - LCI - L Coupler Inner
 - LCO - L Coupler Outer
 - TCA - T Coupler Type A
 - TCB - T Coupler Type B
 - TCC - T Coupler Type C
 - TCD - T Coupler Type D
 - XCP - X Coupler
 - ACP - Adjustable Coupler
 - JCN - Jointing Connector
- OTHER**
- ECS - End Cap
 - MPT - Monopoint
 - CUT - Cutting Tool for Track Conductors

- SUSPENSION OPTIONS**
- SCS - Steel Cable Suspension Set
 - SCL - Steel Cable Suspension Set w. Cable lock
 - SST - Solid Stem Suspension Set
 - S12 - Stem 12 Inch
 - S18 - Stem 18 Inch
 - S24 - Stem 24 Inch
 - S48 - Stem 48 Inch
 - C59 - Cable Suspension Kit 8 1.5
 - C118 - Cable Suspension Kit 8 3
 - C196 - Cable Suspension Kit 8 5
 - CPE - Short Pendant Bracket for Suspension

CODE EXAMPLE

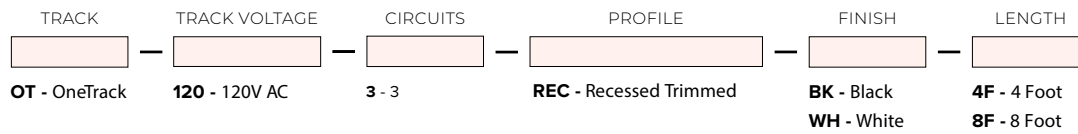
Track: OT-120-SUR-3-BK-4F
 Accessories: OT-120-SUR-3-BK-EFL

120V 3 CIRCUIT

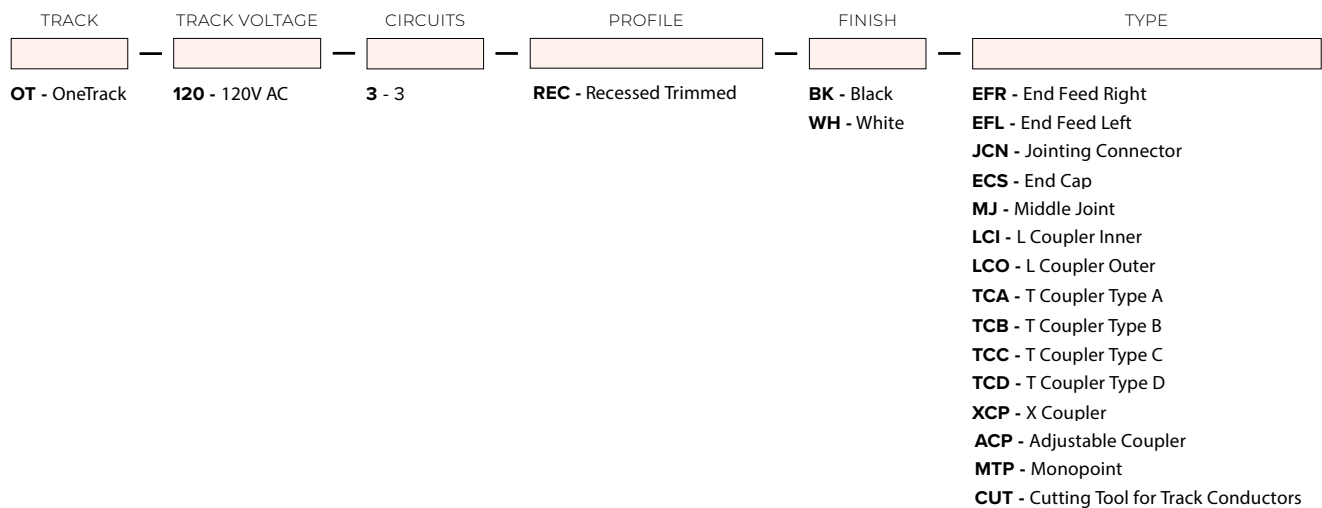


Recessed Code Builder

TRACK



ACCESSORIES



CODE EXAMPLE

Track: OT-120-REC-3-BK-4F

Accessories: OT-120-REC-3-BK-EFL

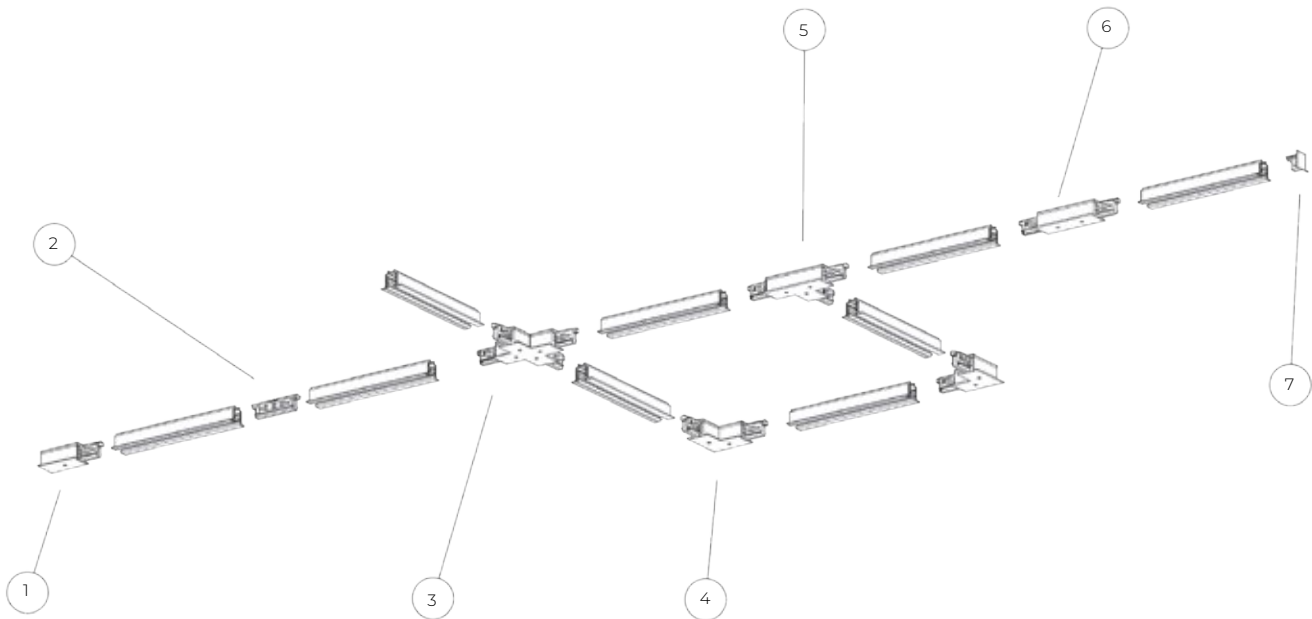
ONETRACK UL Recessed 3 Circuit Track 120v

Stucchi OneTrack UL Recessed track is available in both 3 circuit 120V AC in lengths of 4 ft or 8 ft. It is a flexible 3 phase mixed system with two additional conductors for managing general data signals like DALI or 0 - 10 V (1 – 10V).

It is available in black and white finishes. The external body is made up of extruded aluminum, insulated in PVC with copper conductors.

IT SUPPORTS:

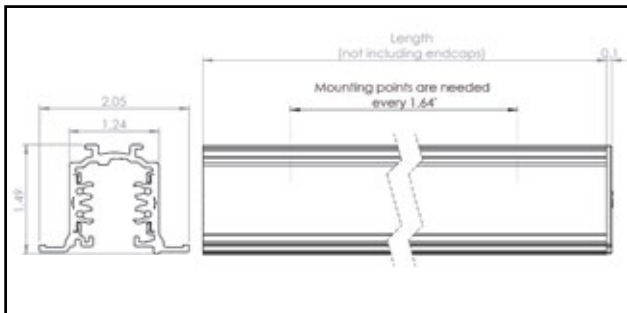
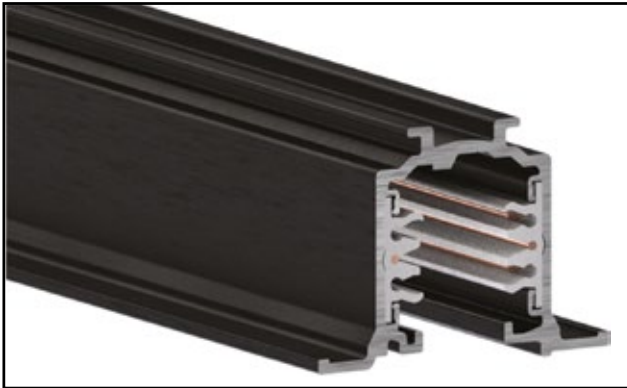
L1/L2/N1/N2/ground 3x120V/20A + D+/D- 3x1A/50V FELV AC (DALI)



KEY:

1. End Feed with recessed cover
2. Jointing Connector - internal connector for track lengths
3. X Feed with recessed cover
4. L Feed with recessed cover
5. T Feed with recessed cover
6. Middle Joint with recessed cover - connects track lengths
7. Recessed End Cap

ONETRACK UL Recessed 120V 3 Circuit



PHYSICAL

CONSTRUCTION MATERIALS:	Extruded aluminum profile; Insulated extruded PVC body Copper conductors
NO. CIRCUITS:	3x independent switchable circuits
DATA BUS:	Yes
WEIGHT:	1.4 kg (4ft)
CUTTING:	Cutting to length on site possible

ORDER CODE

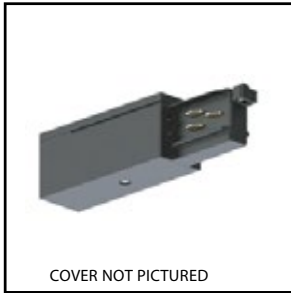
	4.0ft	8.0ft
White	OT-120-3-REC-WH-4F	OT-120-3-REC-WH-8F
Black	OT-120-3-REC-BK-4F	OT-120-3-REC-BK-8F

Recessed Track Hardware Options

END FEEDS

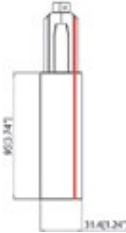
END FEED FOR 3 CIRCUIT APPLICATION - RIGHT

To be used with recessed cover, codes below for assembly unit



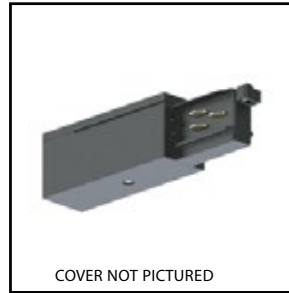
BLACK:
OT-120-3-REC-BK-EFR

WHITE:
OT-120-3-REC-WH-EFR



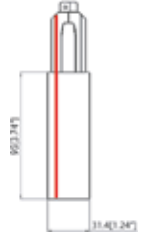
END FEED FOR 3 CIRCUIT APPLICATION - LEFT

To be used with recessed cover, codes below for assembly unit



BLACK:
OT-120-3-REC-BK-EFL

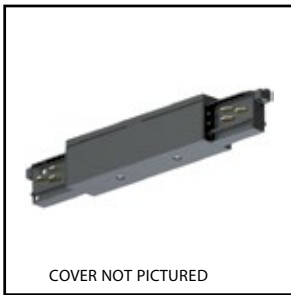
WHITE:
OT-120-3-REC-WH-EFL



COUPLERS

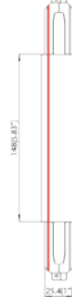
MIDDLE JOINT FOR 3 CIRCUIT APPLICATION

To be used with recessed cover, codes below for assembly unit



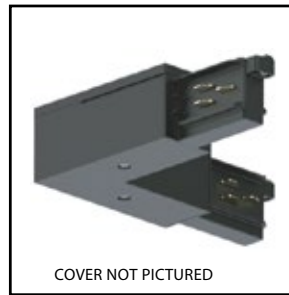
BLACK:
OT-120-3-REC-BK-MJ

WHITE:
OT-120-3-REC-WH-MJ



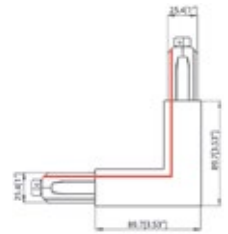
L FEED FOR 3 CIRCUIT APPLICATION - INNER

To be used with recessed cover, codes below for assembly unit



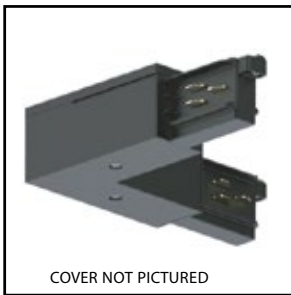
BLACK:
OT-120-3-REC-BK-LCI

WHITE:
OT-120-3-REC-WH-LCI



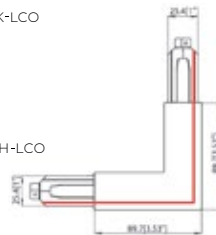
L FEED FOR 3 CIRCUIT APPLICATION - OUTER

To be used with recessed cover, codes below for assembly unit



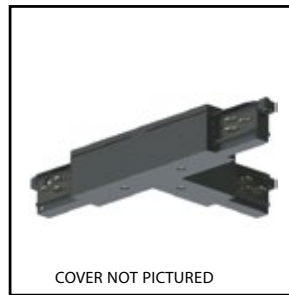
BLACK:
OT-120-3-REC-BK-LCO

WHITE:
OT-120-3-REC-WH-LCO



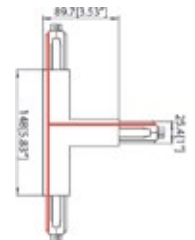
T FEED FOR 3 CIRCUIT APPLICATION - TYPE A

To be used with recessed cover, codes below for assembly unit



BLACK:
OT-120-3-REC-BK-TCA

WHITE:
OT-120-3-REC-WH-TCA



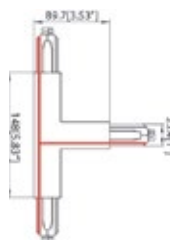
T FEED FOR 3 CIRCUIT APPLICATION - TYPE B

To be used with recessed cover, codes below for assembly unit



BLACK:
OT-120-3-REC-BK-TCB

WHITE:
OT-120-3-REC-WH-TCB



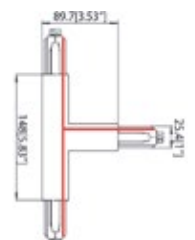
T FEED FOR 3 CIRCUIT APPLICATION - TYPE C

To be used with recessed cover, codes below for assembly unit



BLACK:
OT-120-3-REC-BK-TCC

WHITE:
OT-120-3-REC-WH-TCC

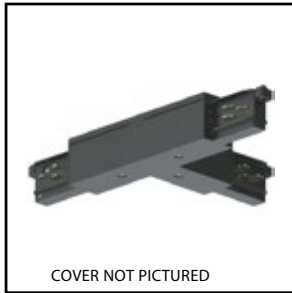


Recessed Track Hardware Options

COUPLERS

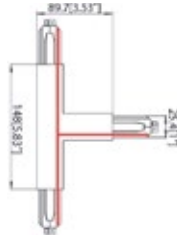
T FEED FOR 3 CIRCUIT APPLICATION - TYPE D

To be used with recessed cover, codes below for assembly unit



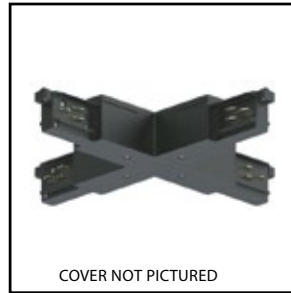
BLACK:
OT-120-3-REC-BK-TCD

WHITE:
OT-120-3-REC-WH-TCD



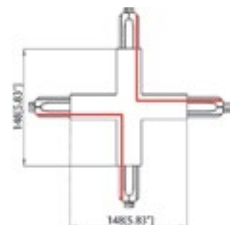
X FEED FOR 3 CIRCUIT APPLICATION

To be used with recessed cover, codes below for assembly unit



BLACK:
OT-120-3-REC-BK-XCP

WHITE:
OT-120-3-REC-WH-XCP



ADJUSTABLE CORNER FOR 3 CIRCUIT APPLICATION

Compatible with all tracks



BLACK:
OT-120-3-REC-BK-ACP

WHITE:
OT-120-3-REC-WH-ACP

JOINTING CONNECTOR

Compatible with all tracks



BLACK:
OT-120-3-REC-BK-JCN

WHITE:
OT-120-3-REC-WH-JCN

ADDITIONAL ACCESSORIES

END CAP FOR RECESSED TRACK

Compatible with recessed track



BLACK:
OT-120-3-REC-BK-ECS

WHITE:
OT-120-3-REC-WH-ECS

RECESSED COVER FOR END FEED

Compatible with recessed track



IMAGE FOR REFERENCE PLEASE
USE ASSEMBLY CODE ON PAGE 8

RECESSED COVER FOR MIDDLE FEED

Compatible with recessed track



IMAGE FOR REFERENCE PLEASE
USE ASSEMBLY CODE ON PAGE 8

RECESSED COVER FOR L - FEED

Compatible with recessed track



IMAGE FOR REFERENCE PLEASE
USE ASSEMBLY CODE ON PAGE 8

Recessed Track Hardware Options

ADDITIONAL ACCESSORIES

RECESSED COVER FOR T FEED
Compatible with recessed track



IMAGE FOR REFERENCE PLEASE
USE ASSEMBLY CODE ON PAGE 9

RECESSED COVER FOR X- FEED
Compatible with recessed track

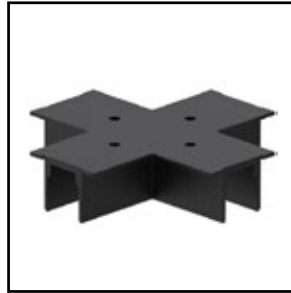


IMAGE FOR REFERENCE PLEASE
USE ASSEMBLY CODE ON PAGE 9

MONOPOINT RECESSED
Codes below for assembly unit



BLACK:
OT-120-3-REC-BK-MPT

WHITE:
OT-120-3-REC-WH-MPT

CUTTING TOOL FOR TRACK CONDUCTORS
Compatible with all track options



BLACK:
OT-120-3-REC-BK-CUT

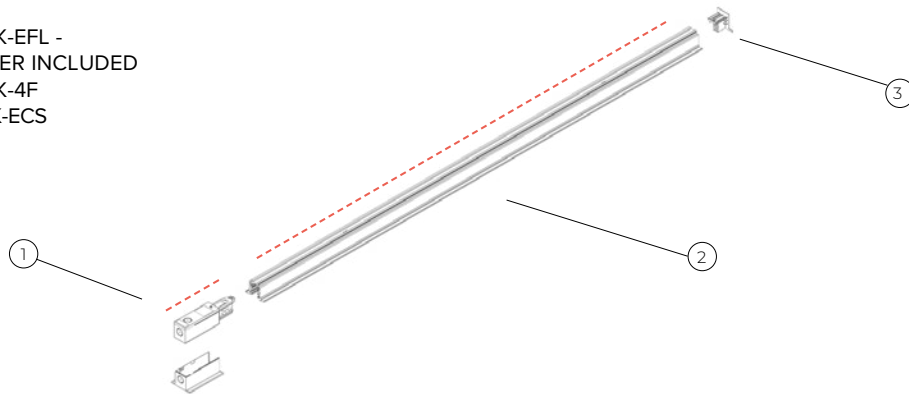
WHITE:
OT-120-3-REC-WH-CUT

CURRENT LIMITER NOT AVAILABLE FOR RECESSED TRACK PLEASE
SOURCE THROUGH THIRD PARTY

Example layout diagrams

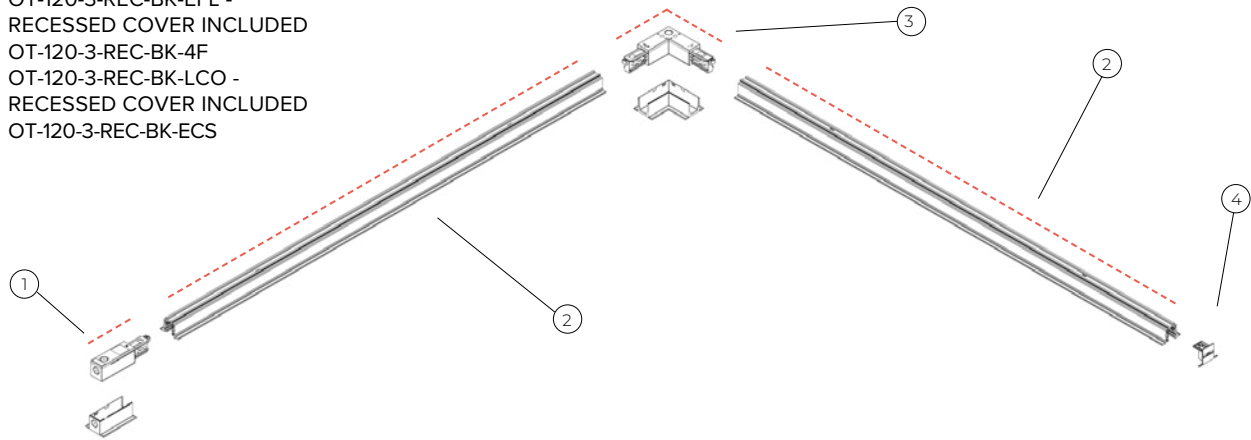
KEY:

1. OT-120-3-REC-BK-EFL - RECESSED COVER INCLUDED
2. OT-120-3-REC-BK-4F
3. OT-120-3-REC-BK-ECS



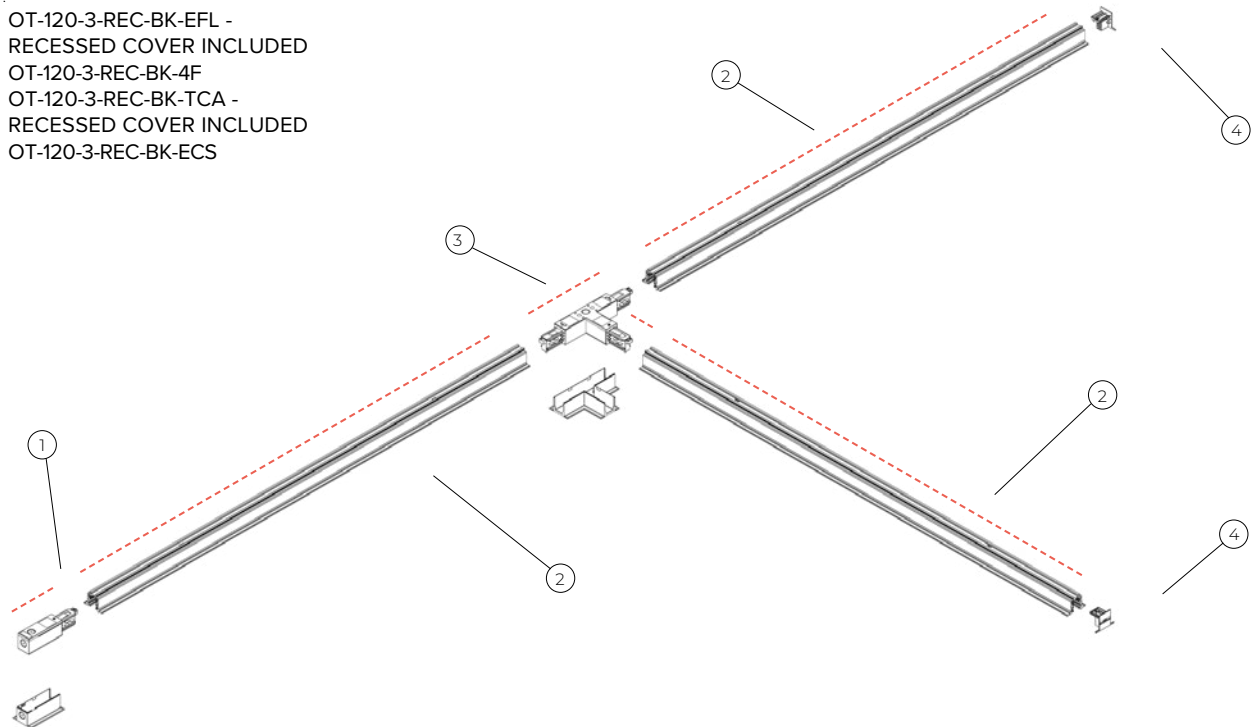
KEY:

1. OT-120-3-REC-BK-EFL - RECESSED COVER INCLUDED
2. OT-120-3-REC-BK-4F
3. OT-120-3-REC-BK-LCO - RECESSED COVER INCLUDED
4. OT-120-3-REC-BK-ECS



KEY:

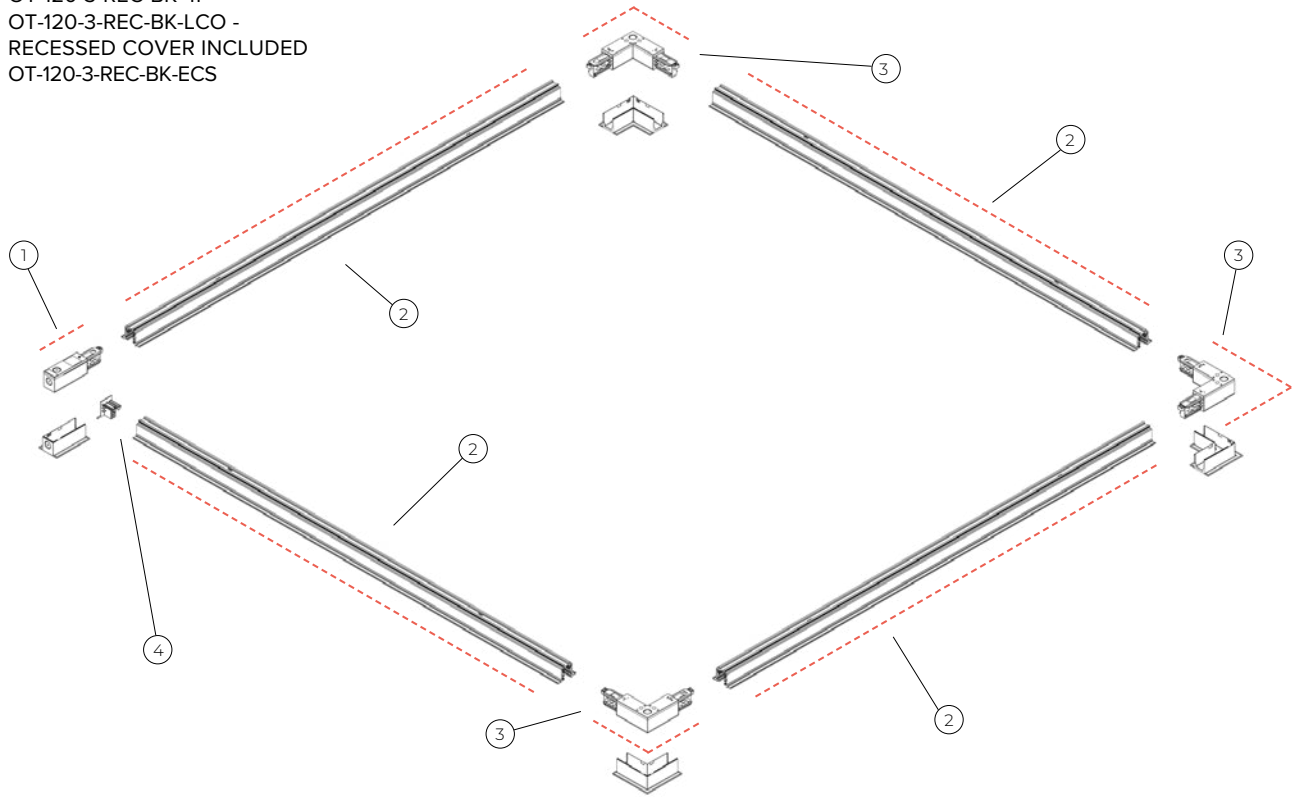
1. OT-120-3-REC-BK-EFL - RECESSED COVER INCLUDED
2. OT-120-3-REC-BK-4F
3. OT-120-3-REC-BK-TCA - RECESSED COVER INCLUDED
4. OT-120-3-REC-BK-ECS



Example layout diagrams

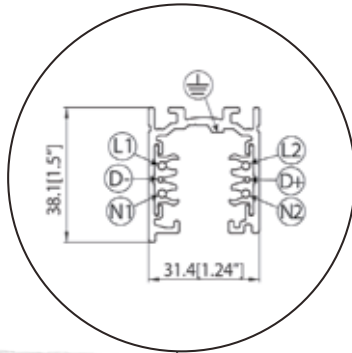
KEY:

- 1. OT-120-3-REC-BK-EFL - RECESSED COVER INCLUDED
- 2. OT-120-3-REC-BK-4F
- 3. OT-120-3-REC-BK-LCO - RECESSED COVER INCLUDED
- 4. OT-120-3-REC-BK-ECS



PLEASE ENSURE POLARITY REMAINS CONSISTENT THROUGHOUT TRACK SYSTEM

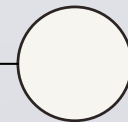
120V 3 CIRCUIT



FIXING SPACING
2.95' AT 245N LOAD
1.48' AT 490N LOAD



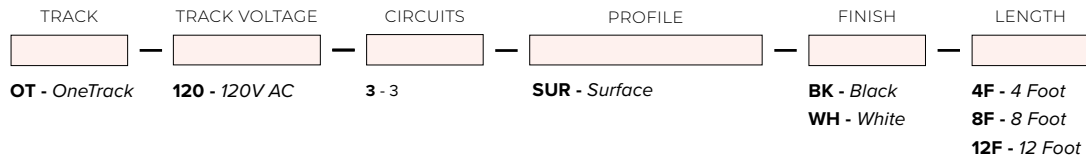
BLACK
RAL 9005



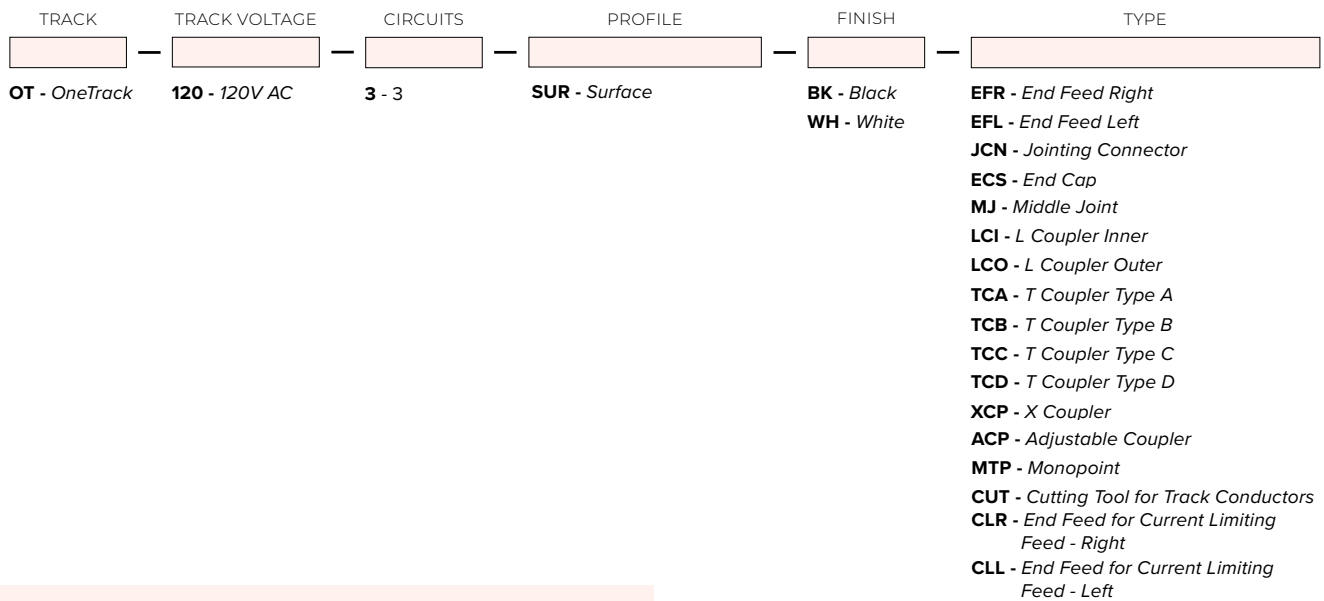
WHITE
RAL 9016

Surface Code Builder

TRACK



ACCESSORIES



CODE EXAMPLE

Track: OT-120-SUR-3-BK-4F

Accessories: OT-120-SUR-3-BK-EFL

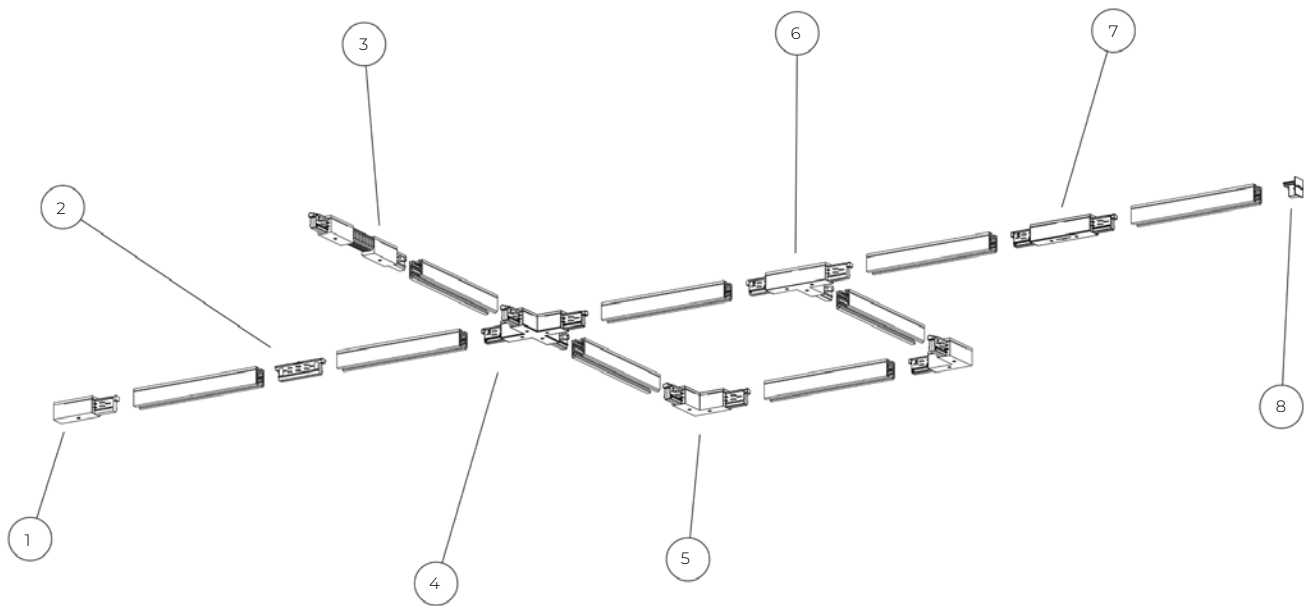
ONETRACK UL Surface 3 Circuit Track

Stucchi OneTrack UL Surface track is available in both 3 circuit 120V AC in lengths of 4 ft or 8ft. It is a flexible 3 phase mixed system with two additional conductors for managing general data signals like DALI or 0 - 10V (1 – 10V).

It is available in black and white finishes. The external body is made up of extruded aluminum, insulated in PVC with copper conductors.

IT SUPPORTS:

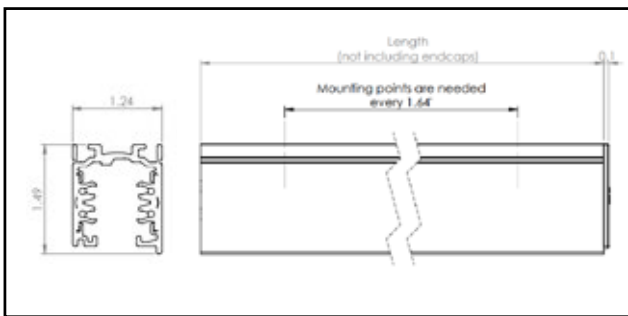
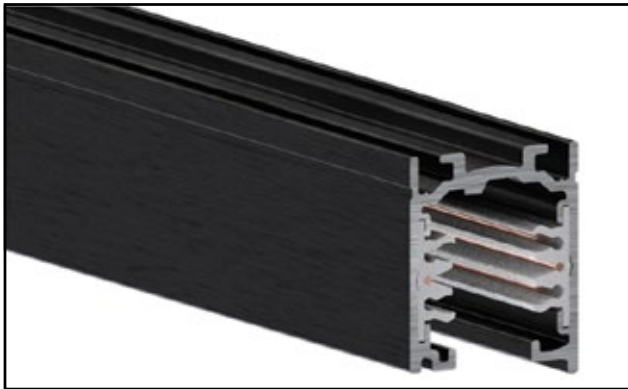
L1/L2/N1/N2/ground 3x120V/20A + D+/D- 3x1A/50V FELV AC (DALI)



KEY:

1. End Feed
2. Jointing Connector - internal connector for track lengths
3. Adjustable Corner
4. X Feed
5. L Feed
6. T Feed
7. Middle Joint - connects track lengths
8. End Cap

ONETRACK UL Surface 120V 3 Circuit



PHYSICAL

CONSTRUCTION MATERIALS:	Extruded aluminum profile; Insulated extruded PVC body Copper conductors
NO. CIRCUITS:	3x independent switchable circuits
DATA BUS:	Yes
WEIGHT:	1.2 kg (4 ft)
CUTTING:	Cutting to length on site possible

ORDER CODE

	4.0ft	8.0ft	12.0ft
White	OT-120-3-SUR-WH-4F	OT-120-3-SUR-WH-8F	OT-120-3-SUR-WH-12F
Black	OT-120-3-SUR-BK-4F	OT-120-3-SUR-BK-8F	OT-120-3-SUR-BK-12F

Surface Track Hardware Options

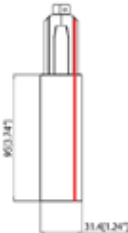
END FEEDS

END FEED FOR 3 CIRCUIT APPLICATION - RIGHT
Compatible with all tracks



BLACK:
OT-120-3-REC-BK-EFR

WHITE:
OT-120-3-REC-WH-EFR

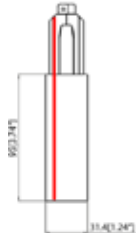


END FEED FOR 3 CIRCUIT APPLICATION - LEFT
Compatible with all tracks



BLACK:
OT-120-3-REC-BK-EFL

WHITE:
OT-120-3-REC-WH-EFL

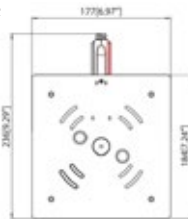


END FEED FOR CURRENT LIMITING FEED - RIGHT
Current limiting feed to be ordered separately refer to help page



BLACK:
OT-120-3-SUR-BK-CLR

WHITE:
OT-120-3-SUR-WH-CLR

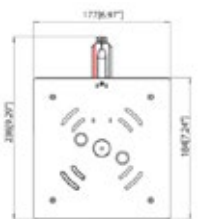


END FEED FOR CURRENT LIMITING FEED - LEFT
Current limiting feed to be ordered separately refer to help page



BLACK:
OT-120-3-SUR-BK-CLL

WHITE:
OT-120-3-SUR-WH-CLL



COUPLERS

MIDDLE JOINT FOR 3 CIRCUIT APPLICATION
Compatible with all tracks



BLACK:
OT-120-3-SUR-BK-MJ

WHITE:
OT-120-3-SUR-WH-MJ

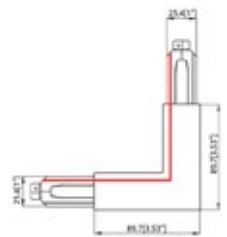


L FEED FOR 3 CIRCUIT APPLICATION - INNER
Compatible with all tracks



L BLACK:
OT-120-3-SUR-BK-LCI

WHITE:
OT-120-3-SUR-WH-LCI

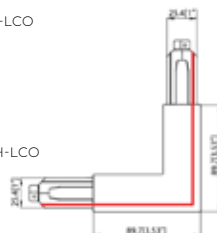


L FEED FOR 3 CIRCUIT APPLICATION - OUTER
Compatible with all tracks



BLACK:
OT-120-3-SUR-BK-LCO

WHITE:
OT-120-3-SUR-WH-LCO

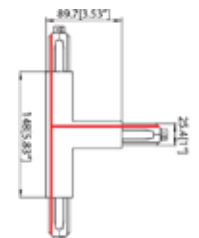


T FEED FOR 2 CIRCUIT APPLICATION - TYPE A
Compatible with all tracks



BLACK:
OT-120-3-SUR-BK-TCA

WHITE:
OT-120-3-SUR-WH-TCA



Surface Track Hardware Options

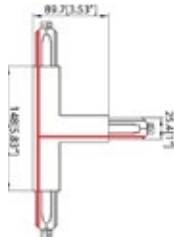
COUPLERS

T FEED FOR 3 CIRCUIT APPLICATION - TYPE B
Compatible with all tracks



BLACK:
OT-120-3-SUR-BK-TCB

WHITE:
OT-120-3-SUR-WH-TCB

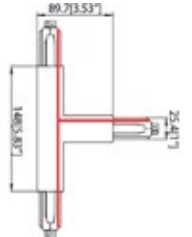


T FEED FOR 3 CIRCUIT APPLICATION - TYPE C
Compatible with all tracks



BLACK:
OT-120-3-SUR-BK-TCC

WHITE:
OT-120-3-SUR-WH-TCC

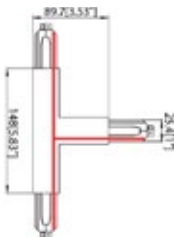


T FEED FOR 3 CIRCUIT APPLICATION - TYPE D
Compatible with all tracks



BLACK:
OT-120-3-SUR-BK-TCD

WHITE:
OT-120-3-SUR-WH-TCD

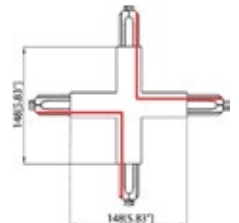


X FEED FOR 3 CIRCUIT APPLICATION
Compatible with all tracks



BLACK:
OT-120-3-SUR-BK-XCP

WHITE:
OT-120-3-SUR-WH-XCP



ADJUSTABLE CORNER FOR 3 CIRCUIT APPLICATION
Compatible with all tracks - 9018/B-3C - 9018/W-3C



BLACK:
OT-120-3-SUR-BK-ACP

WHITE:
OT-120-3-SUR-WH-ACP

JOINTING CONNECTOR
Compatible with all tracks



BLACK:
OT-120-3-SUR-BK-JCN

WHITE:
OT-120-3-SUR-WH-JCN

ADDITIONAL ACCESSORIES

END CAP
Compatible with all tracks



BLACK:
OT-120-3-SUR-BK-ECS

WHITE:
OT-120-3-SUR-WH-ECS

MONOPOINT



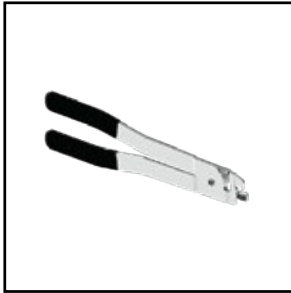
BLACK:
OT-120-3-SUR-BK-MPT

WHITE:
OT-120-3-SUR-WH-MPT

Surface Track Hardware Options

ADDITIONAL ACCESSORIES

CUTTING TOOL FOR TRACK CONDUCTORS
Compatible with all track options



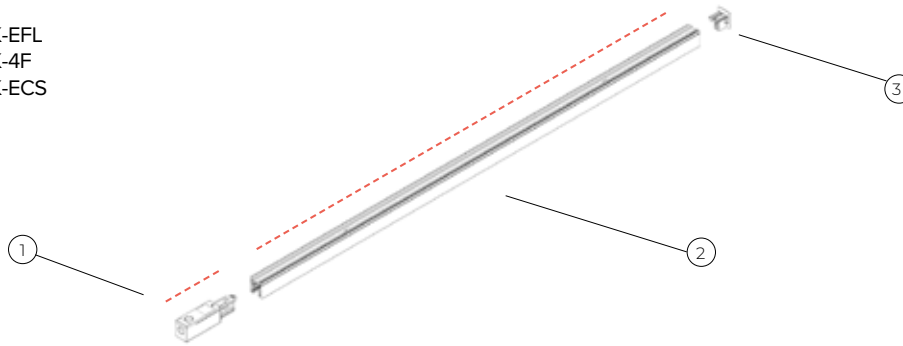
BLACK:
OT-120-3-SUR-BK-CUT

WHITE:
OT-120-3-SUR-WH-CUT

Example layout diagrams

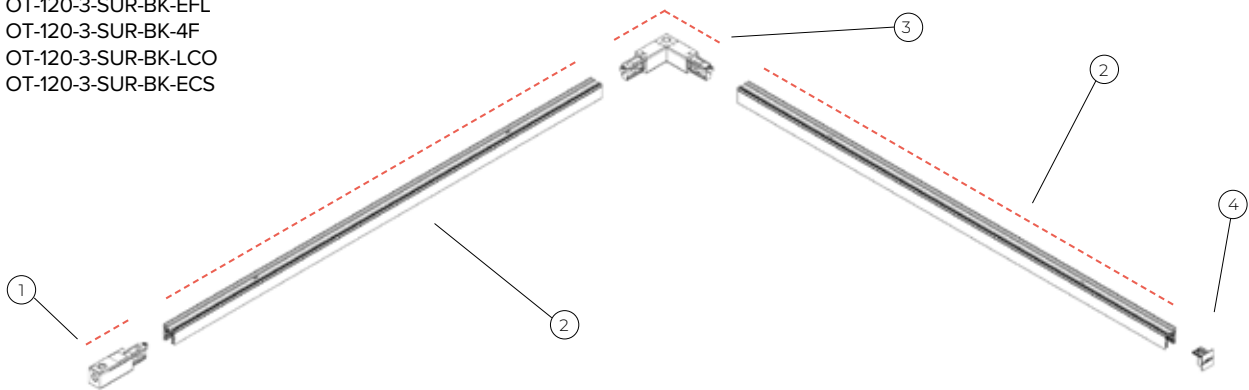
KEY:

- 1. OT-120-3-SUR-BK-EFL
- 2. OT-120-3-SUR-BK-4F
- 3. OT-120-3-SUR-BK-ECS



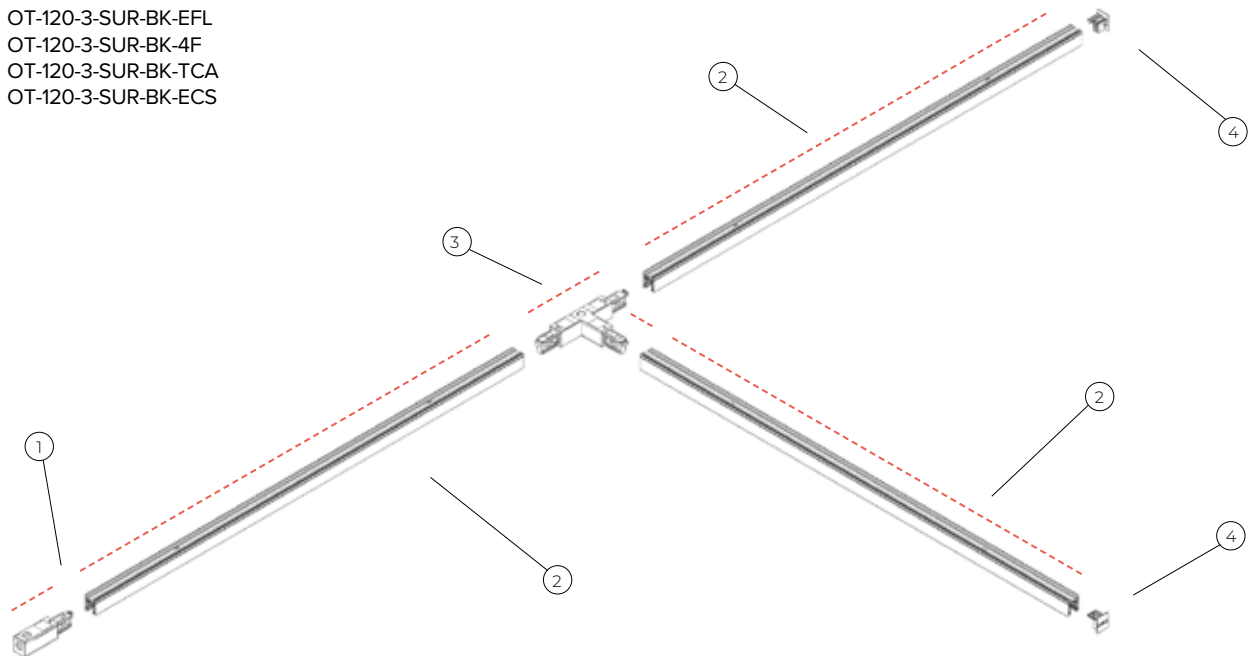
KEY:

- 1. OT-120-3-SUR-BK-EFL
- 2. OT-120-3-SUR-BK-4F
- 3. OT-120-3-SUR-BK-LCO
- 4. OT-120-3-SUR-BK-ECS



KEY:

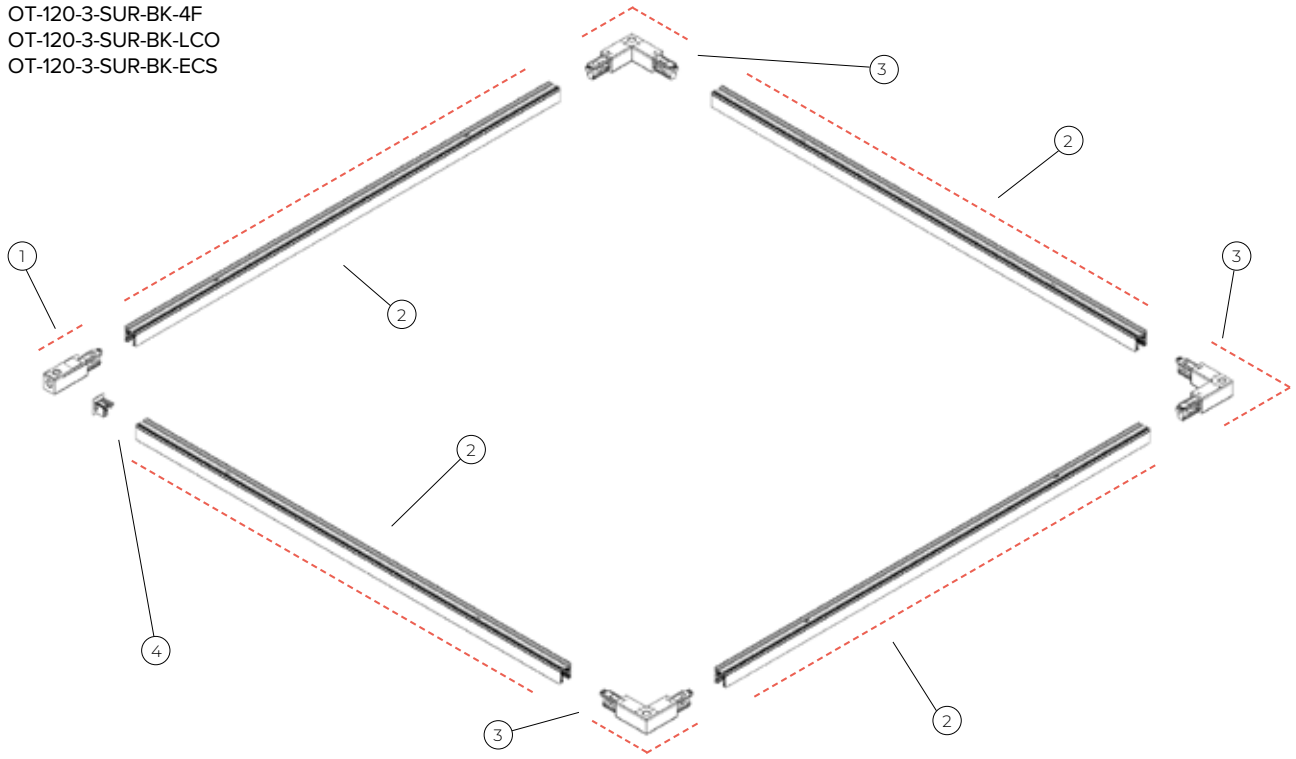
- 1. OT-120-3-SUR-BK-EFL
- 2. OT-120-3-SUR-BK-4F
- 3. OT-120-3-SUR-BK-TCA
- 4. OT-120-3-SUR-BK-ECS



Example layout diagrams

KEY:

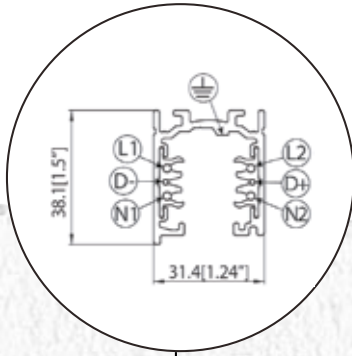
- 1. OT-120-3-SUR-BK-EFL
- 2. OT-120-3-SUR-BK-4F
- 3. OT-120-3-SUR-BK-LCO
- 4. OT-120-3-SUR-BK-ECS



PLEASE ENSURE POLARITY REMAINS CONSISTENT THROUGHOUT TRACK SYSTEM

Suspended

120V 3 CIRCUIT



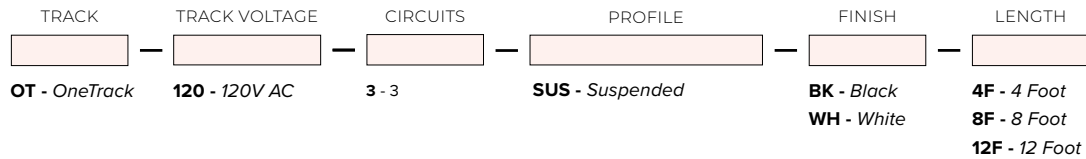
FIXING SPACING
2.95' AT 245N LOAD
1.48' AT 490N LOAD

BLACK
RAL 9005

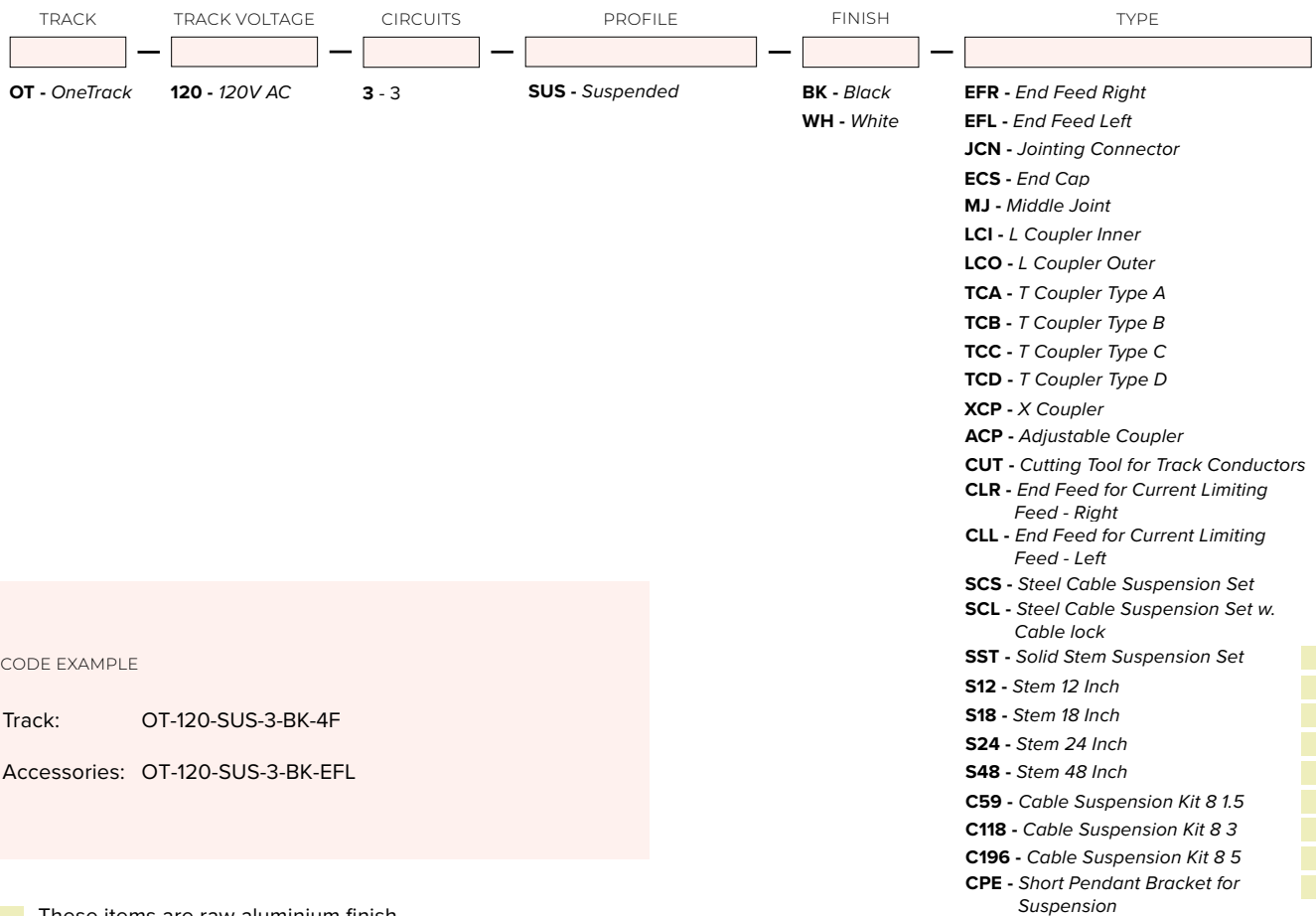
WHITE
RAL 9016

Suspended Code Builder

TRACK



ACCESSORIES



CODE EXAMPLE

Track: OT-120-SUS-3-BK-4F
 Accessories: OT-120-SUS-3-BK-EFL

These items are raw aluminium finish

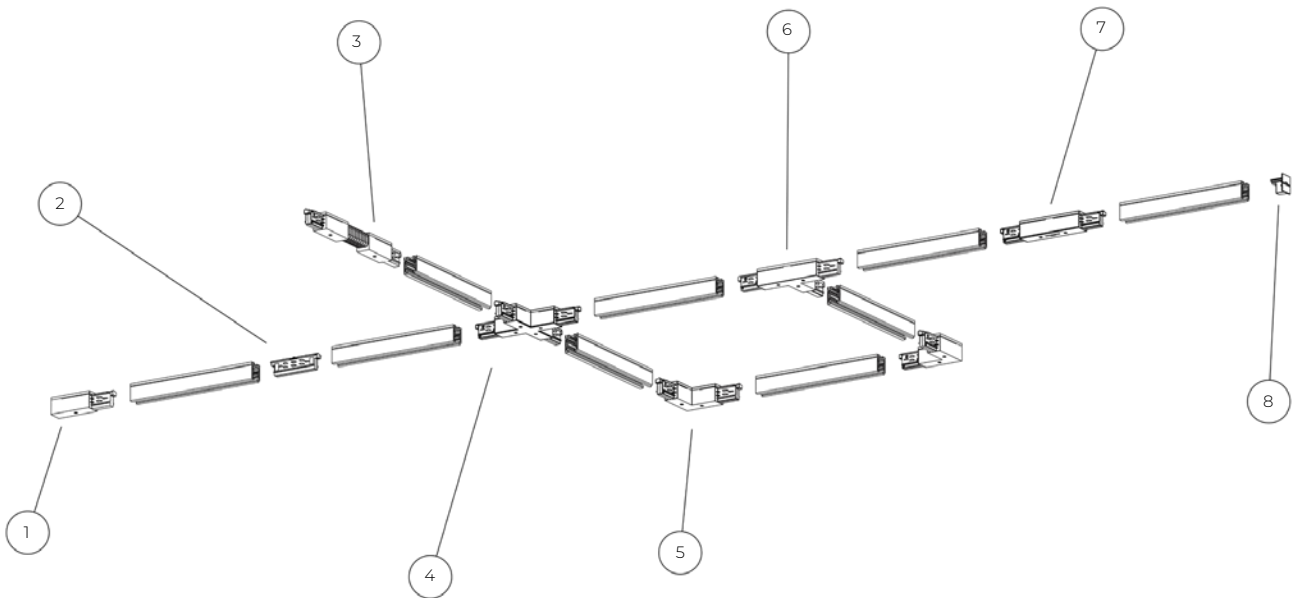
ONETRACK UL Suspended 3 Circuit Track

Stucchi OneTrack UL Suspended track is available in both 3 circuit 120V AC in lengths of 4 ft or 8ft. It is a flexible 3 phase mixed system with two additional conductors for managing general data signals like DALI or 0 - 10V (1 – 10V).

It is available in black and white finishes. The external body is made up of extruded aluminum, insulated in PVC with copper conductors.

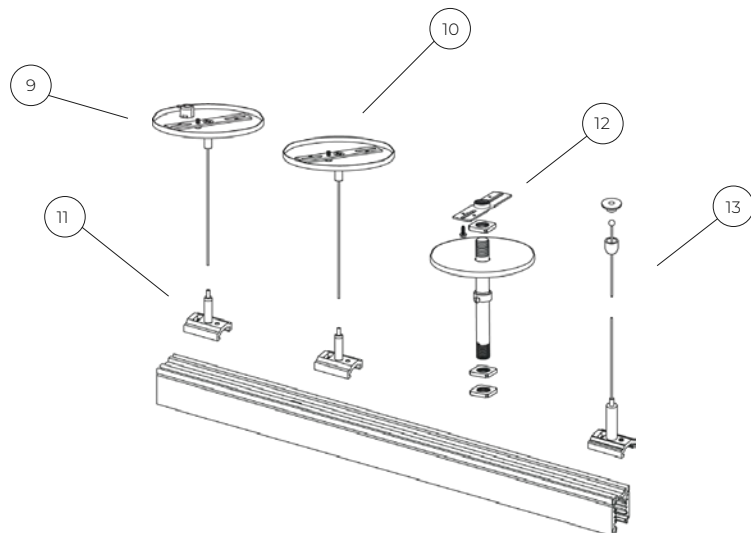
It supports:

L1/L2/N1/N2/ground 3x120V/20A + D+/D- 3x1A/50V FELV AC (DALI)

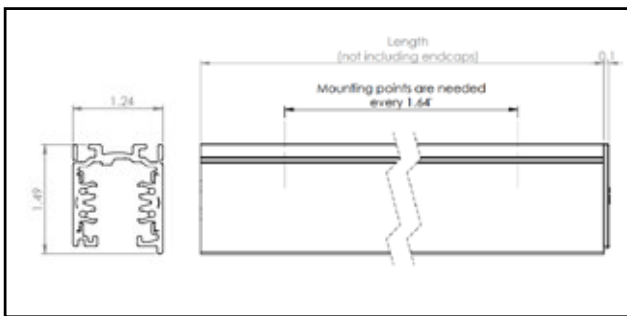
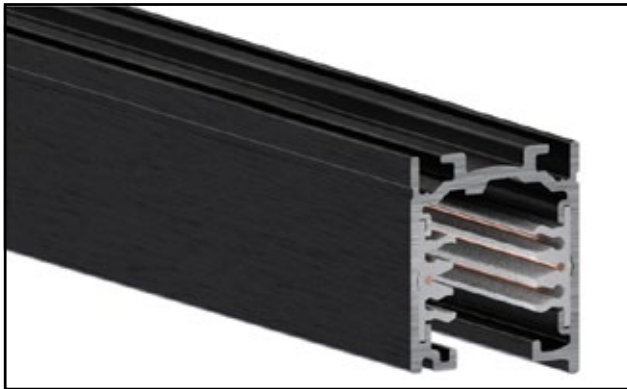


KEY:

- 1. End Feed
- 2. Joining Connector- internal connector for track lengths
- 3. Adjustable Corner
- 4. X Feed
- 5. L Feed
- 6. T Feed
- 7. Middle Joint - connects track lengths
- 8. End Cap
- 9. Steel Cable Suspension Set with Cable Lock
- 10. Steel Cable Suspension Set
- 11. Short Pendant Bracket for Suspension
- 12. Solid Stem Suspension (stem separate)
- 13. Suspension Kit 8



ONETRACK UL Suspended 120V 3 Circuit



PHYSICAL

CONSTRUCTION MATERIALS:	Extruded aluminum profile; Insulated extruded PVC body Copper conductors
NO. CIRCUITS:	3x independent switchable circuits
DATA BUS:	Yes
WEIGHT:	1.2 kg (4 ft)
CUTTING:	Cutting to length on site possible

ORDER CODE

	4.0ft	8.0ft	12.0ft
White	OT-120-3-SUS-WH-4F	OT-120-3-SUS-WH-8F	OT-120-3-SUS-WH-12F
Black	OT-120-3-SUS-BK-4F	OT-120-3-SUS-BK-8F	OT-120-3-SUS-BK-12F

Suspended Track Hardware Options

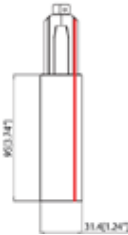
END FEEDS

END FEED FOR 3 CIRCUIT APPLICATION - RIGHT
Compatible with all tracks



BLACK:
OT-120-3-SUS-BK-EFR

WHITE:
OT-120-3-SUS-WH-EFR

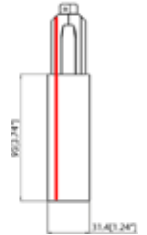


END FEED FOR 3 CIRCUIT APPLICATION - LEFT
Compatible with all tracks



BLACK:
OT-120-3-SUS-BK-EFL

WHITE:
OT-120-3-SUS-WH-EFL

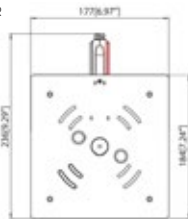


END FEED FOR CURRENT LIMITING FEED - RIGHT
Current limiting feed to be ordered separately



BLACK:
OT-120-3-SUS-BK-CLR

WHITE:
OT-120-3-SUS-WH-CLR

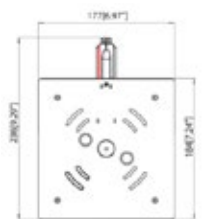


END FEED FOR CURRENT LIMITING FEED - LEFT
Current limiting feed to be ordered separately



BLACK:
OT-120-3-SUS-BK-CLL

WHITE:
OT-120-3-SUS-WH-CLL



COUPLERS

MIDDLE JOINT FOR 3 CIRCUIT APPLICATION
Compatible with all tracks



BLACK:
OT-120-3-SUS-BK-MJ

WHITE:
OT-120-3-SUS-WH-MJ

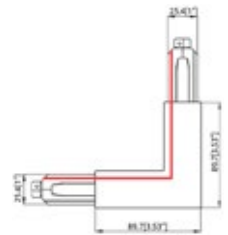


L FEED FOR 3 CIRCUIT APPLICATION - INNER
Compatible with all tracks



BLACK:
OT-120-3-SUS-BK-LCI

WHITE:
OT-120-3-SUS-WH-LCI

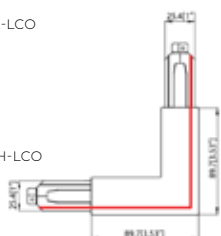


L FEED FOR 3 CIRCUIT APPLICATION - OUTER
Compatible with all tracks



BLACK:
OT-120-3-SUS-BK-LCO

WHITE:
OT-120-3-SUS-WH-LCO

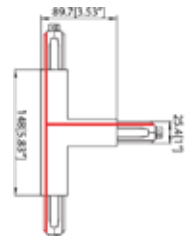


T FEED FOR 3 CIRCUIT APPLICATION - TYPE A
Compatible with all tracks



BLACK:
OT-120-3-SUS-BK-TCA

WHITE:
OT-120-3-SUS-WH-TCA



Suspended Track Hardware Options

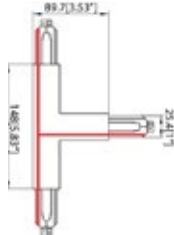
COUPLERS

T FEED FOR 3 CIRCUIT APPLICATION
Compatible with all tracks



BLACK:
OT-120-3-SUS-BK-TCB

WHITE:
OT-120-3-SUS-WH-TCB

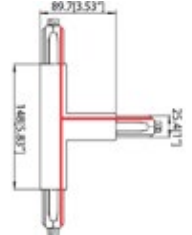


T FEED FOR 3 CIRCUIT APPLICATION
Compatible with all tracks



BLACK:
OT-120-3-SUS-BK-TCC

WHITE:
OT-120-3-SUS-WH-TCC

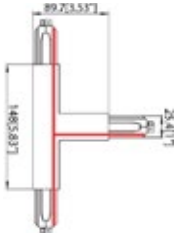


T FEED FOR 3 CIRCUIT APPLICATION
Compatible with all tracks



BLACK:
OT-120-3-SUS-BK-TCD

WHITE:
OT-120-3-SUS-WH-TCD

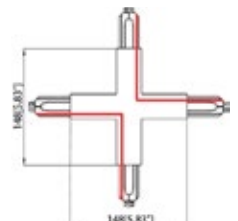


X FEED FOR 3 CIRCUIT APPLICATION
Compatible with all tracks



BLACK:
OT-120-3-SUS-BK-XCP

WHITE:
OT-120-3-SUS-WH-XCP



ADJUSTABLE CORNER FOR 3 CIRCUIT APPLICATION
Compatible with all tracks - 9018/B-3C - 9018/W-3C



BLACK:
OT-120-3-SUS-BK-ACP

WHITE:
OT-120-3-SUS-WH-ACP

JOINTING CONNECTOR
Compatible with all tracks



BLACK:
OT-120-3-SUS-BK-JCN

WHITE:
OT-120-3-SUS-WH-JCN

ADDITIONAL ACCESSORIES

END CAP
Compatible with all tracks



BLACK:
OT-120-3-SUS-BK-ECS

WHITE:
OT-120-3-SUS-WH-ECS

CUTTING TOOL FOR TRACK CONDUCTORS
Compatible with all track options



BLACK:
OT-120-3-SUS-BK-CUT

WHITE:
OT-120-3-SUS-WH-CUT

Suspended Track Hardware Options

SUSPENSION OPTIONS

STEEL CABLE SUSPENSION SET

Requires short pendant bracket for suspension



BLACK:
 36 INCH:
 OT-120-3-SUS-BK-SC1
 120 INCH:
 OT-120-3-SUS-BK-SC2
 200 INCH:
 OT-120-3-SUS-BK-SC3

WHITE:
 36 INCH:
 OT-120-3-SUS-WH-SC1
 120 INCH:
 OT-120-3-SUS-WH-SC2
 200 INCH:
 OT-120-3-SUS-WH-SC3

INCLUDES:

- Mounting bracket
- Metal cup
- Steel cable

STEEL CABLE SUSPENSION SET WITH CABLE LOCK

Requires short pendant bracket for suspension



BLACK:
 36 INCH:
 OT-120-3-SUS-BK-SCL1
 120 INCH:
 OT-120-3-SUS-BK-SCL2
 200 INCH:
 OT-120-3-SUS-BK-SCL3

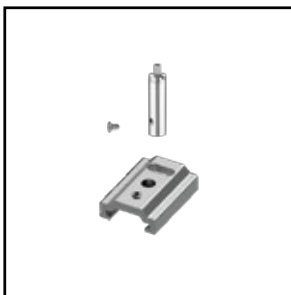
WHITE:
 36 INCH:
 OT-120-32-SUS-WH-SCL1
 120 INCH:
 OT-120-3-SUS-WH-SCL2
 200 INCH:
 OT-120-3-SUS-WH-SCL3

INCLUDES:

- Mounting bracket
- Metal cup
- Steel cable
- Cable lock

SHORT PENDANT BRACKET FOR SUSPENSION

To be provided as an assembly



ALUMINUM SUSPENSION SET FOR BLACK SYSTEM:
 OT-120-3-SUS-BK-CPE

ALUMINUM SUSPENSION SET FOR WHITE SYSTEM:
 OT-120-3-SUS-WH-CPE

INCLUDES:

- Short pendant bracket
- Automatic M5 gripper
- Set screw for gripper on the bracket

SUSPENSION KIT 8

Compatible with surface and suspended track



ALUMINUM SUSPENSION SET FOR BLACK SYSTEM:
 4 FT 9":
 OT-120-3-SUS-BK-C59
 9 FT 8":
 OT-120-3-SUS-BK-C118
 16 FT 4":
 OT-120-3-SUS-BK-C196

ALUMINUM SUSPENSION SET FOR WHITE SYSTEM:
 4 FT 9":
 OT-120-3-SUS-WH-C59
 9 FT 8":
 OT-120-3-SUS-WH-C118
 16 FT 4":
 OT-120-3-SUS-WH-C196

INCLUDES:

- Round head ceiling attachment
- Ø 0.06" steel cable with spherical end.
- Bracket with automatic gripper

Suspended Track Hardware Options

SUSPENSION OPTIONS

SOLID STEM SUSPENSION SET
Stem to be added separately



ALUMINUM SUSPENSION SET
FOR BLACK SYSTEM:
OT-120-3-SUS-BK-SST

ALUMINUM SUSPENSION SET
FOR WHITE SYSTEM:
OT-120-3-SUS-WH-SST

- INCLUDES:
- Crossbar
 - Metal cup
 - Mounting bracket

STEM
To be added to Solid Stem Suspension Set



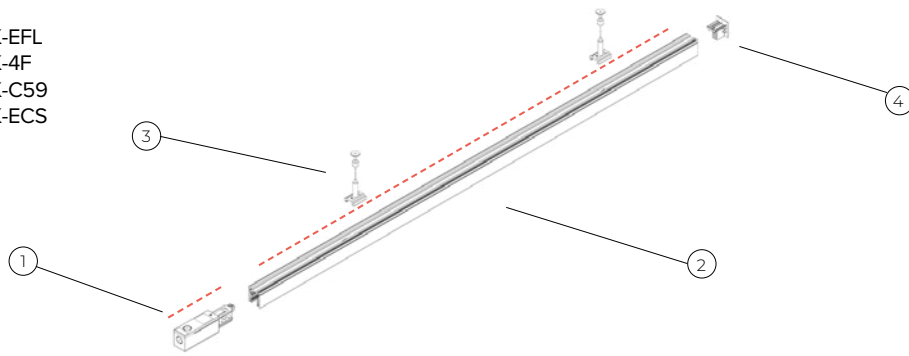
ALUMINUM SUSPENSION SET
FOR BLACK SYSTEM:
12":
OT-120-3-SUS-BK-S12
18":
OT-120-3-SUS-BK-S18
24":
OT-120-3-SUS-BK-S24
48":
OT-120-3-SUS-BK-S48

ALUMINUM SUSPENSION SET
FOR WHITE SYSTEM:
12":
OT-120-3-SUS-WH-S12
18":
OT-120-3-SUS-WH-S18
24":
OT-120-3-SUS-WH-S24
48":
OT-120-3-SUS-WH-S48

Example layout diagrams

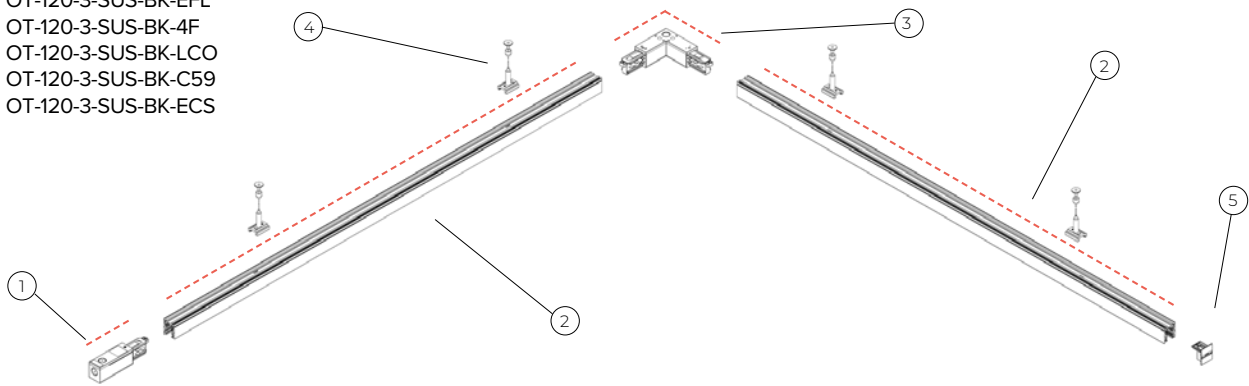
KEY:

- 1. OT-120-3-SUS-BK-EFL
- 2. OT-120-3-SUS-BK-4F
- 3. OT-120-3-SUS-BK-C59
- 4. OT-120-3-SUS-BK-ECS



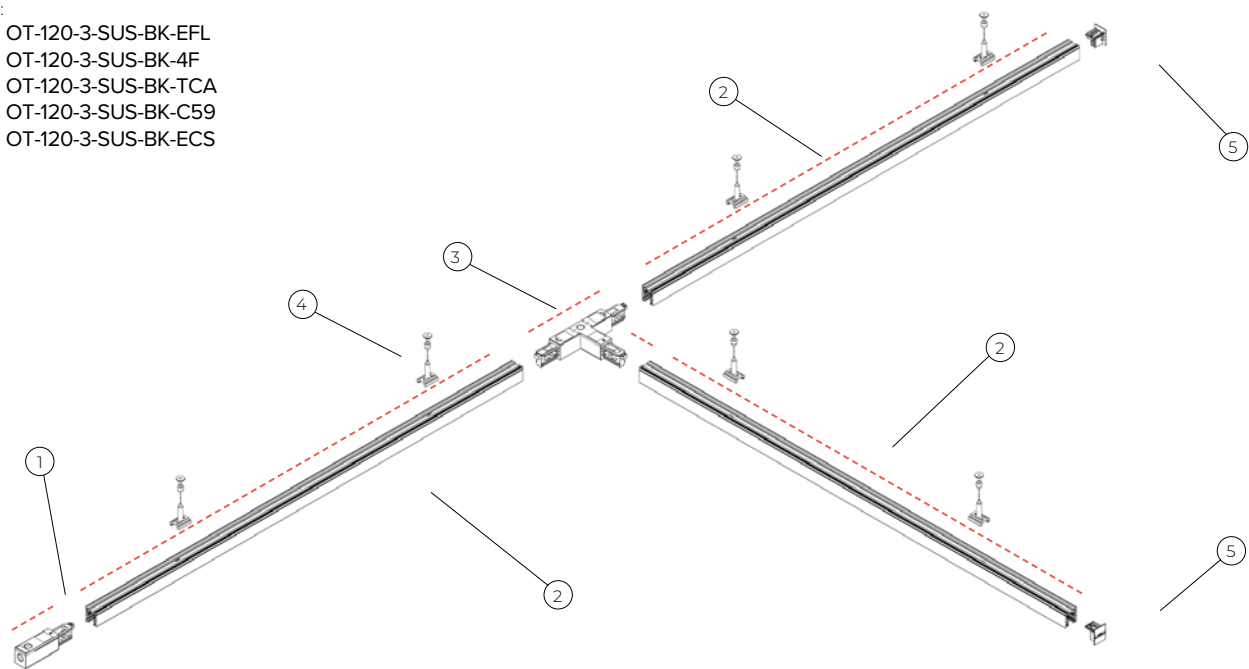
KEY:

- 1. OT-120-3-SUS-BK-EFL
- 2. OT-120-3-SUS-BK-4F
- 3. OT-120-3-SUS-BK-LCO
- 4. OT-120-3-SUS-BK-C59
- 5. OT-120-3-SUS-BK-ECS



KEY:

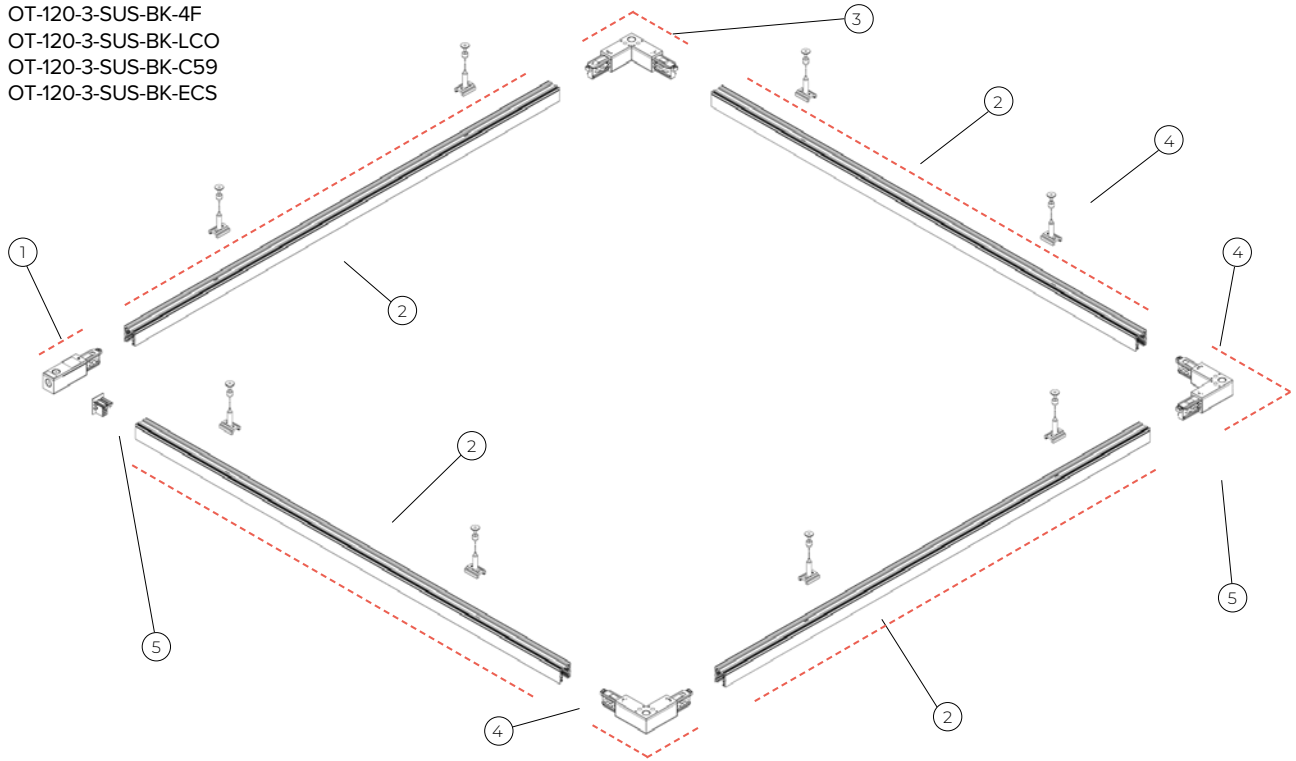
- 1. OT-120-3-SUS-BK-EFL
- 2. OT-120-3-SUS-BK-4F
- 3. OT-120-3-SUS-BK-TCA
- 4. OT-120-3-SUS-BK-C59
- 5. OT-120-3-SUS-BK-ECS



Example layout diagrams

KEY:

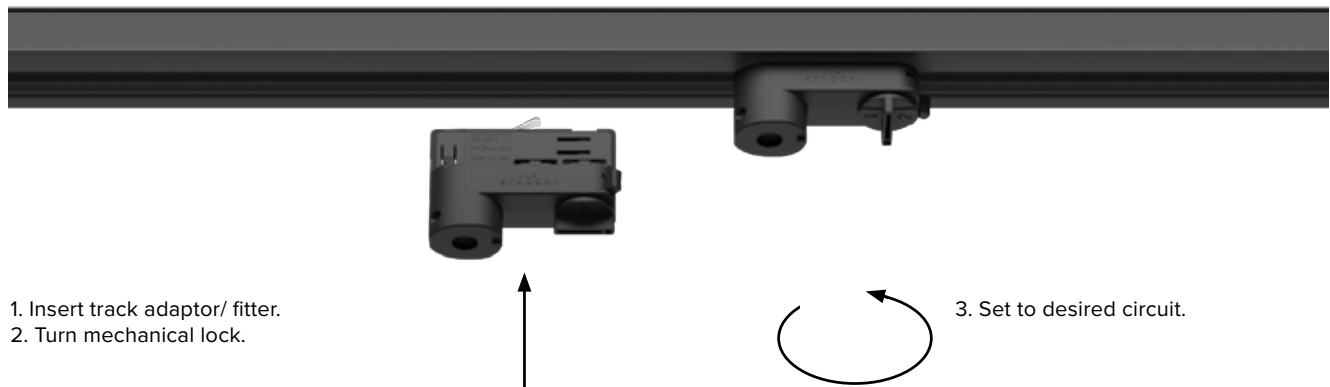
- 1. OT-120-3-SUS-BK-EFL
- 2. OT-120-3-SUS-BK-4F
- 3. OT-120-3-SUS-BK-LCO
- 4. OT-120-3-SUS-BK-C59
- 5. OT-120-3-SUS-BK-ECS



PLEASE ENSURE POLARITY REMAINS CONSISTENT THROUGHOUT TRACK SYSTEM

General Technical Information

INSERTING TRACK ADAPTOR/ FITTER

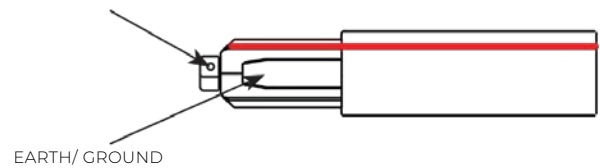


POLARITY

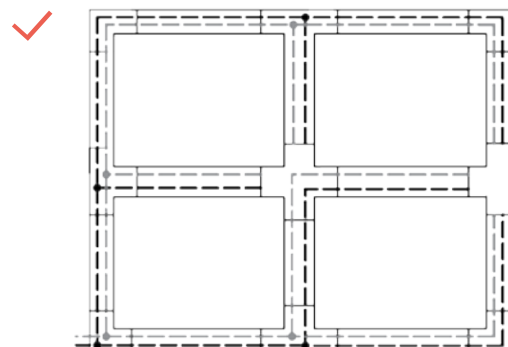
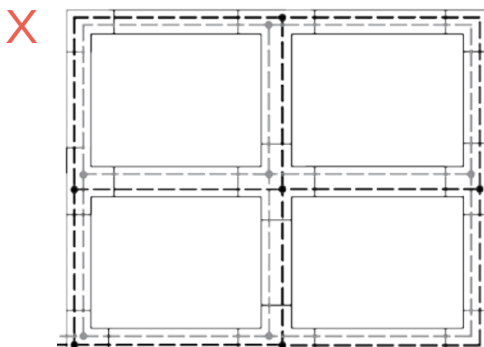
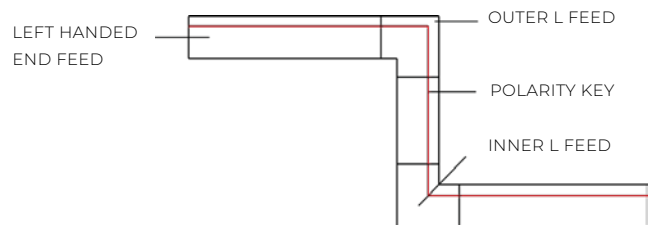
Consistent polarity must be kept throughout the circuit. Please ensure that the data bus wiring does not create a ring structure. A failure free data bus cannot be ensured if one is present. If the track installation requires the use of 'L' 'T' or 'X' shaped joints, it is possible to disconnect the data bus in these joints to avoid creating a ring structure.

If the track requires L T or X joints polarity must be observed throughout the system. The track power feeds and interconnectors have markings for D+ & D-. For DALI installations the luminaires are themselves are not polarity sensitive however you must ensure the data bus wiring does not create a ring structure. For 1-10V installations the luminaires are polarity sensitive, you must ensure the data bus wiring does not create a ring structure and that polarity is maintained in relation to the polarity key on the track by using left handed / right handed, internal and external connectors. If the track installation requires the use of L T or X joints, it is possible to disconnect the data bus in these joints to avoid creating a ring. Pay attention at joints between track sections that the polarity key feature is on the same side across tracks. Miss-wiring will result in a short or sections of non-controllable lights.

SCREW/ POLARITY



LEFT HANDED
END FEED

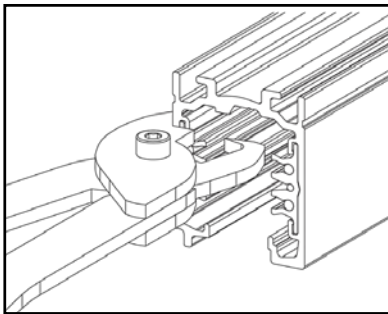


General Technical Information

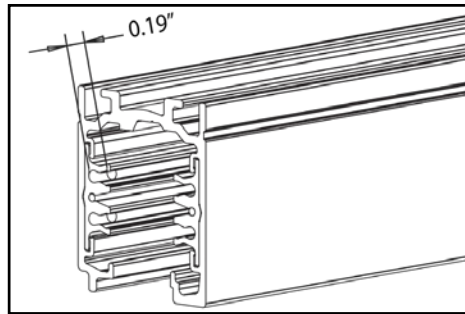
IMPORTANT TRACK INSTALLATION DIRECTIONS

CONDUCTOR PREPARATION

The track bars with length 4'-8'-12'* (12' not available in recessed and trimless version) are provided with the copper conductors already recessed, in compliance with the relevant safety standard. If it is necessary to shorten the track during installation this operation must be done with a tool intended for cutting aluminum. After cutting operation it is necessary to bend the power conductors with the CUT tool to recess the 4 power conductors at least of 0.2" so that the correct air, surface and electrical distances are respected



RECESSING TRACK
CONDUCTORS



MINIMUM RECESSING

CURRENT LIMITERS

Current limiters are intended to be installed at track feed locations in place of a standard non-limiting feed. These feeds incorporate a circuit breaker which are designed to limit available wattage to the track. This lets you optimize the potential of line-voltage track lighting without being penalized by watts-per-foot code calculations.

These current limiters are rated at 20A. They are supplied bare with circuit breakers to be purchased separately.

Suitable circuit breakers for our Current Limiting End Feeds:

120V Carling Technologies Series M

3 CIRCUITS 120V ac Max 3x20A

