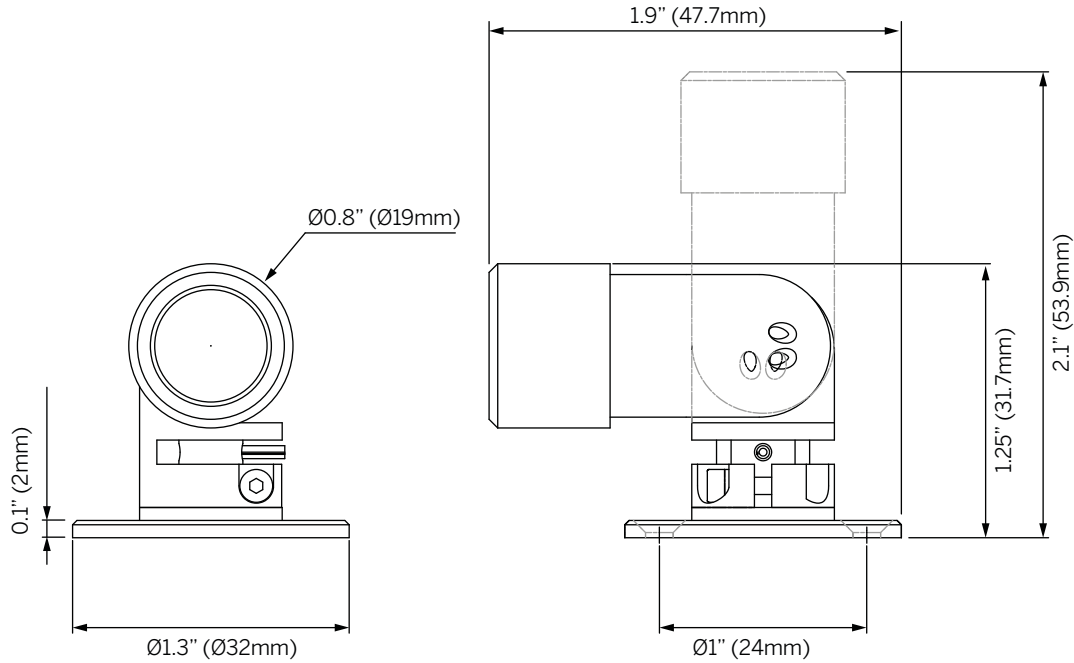


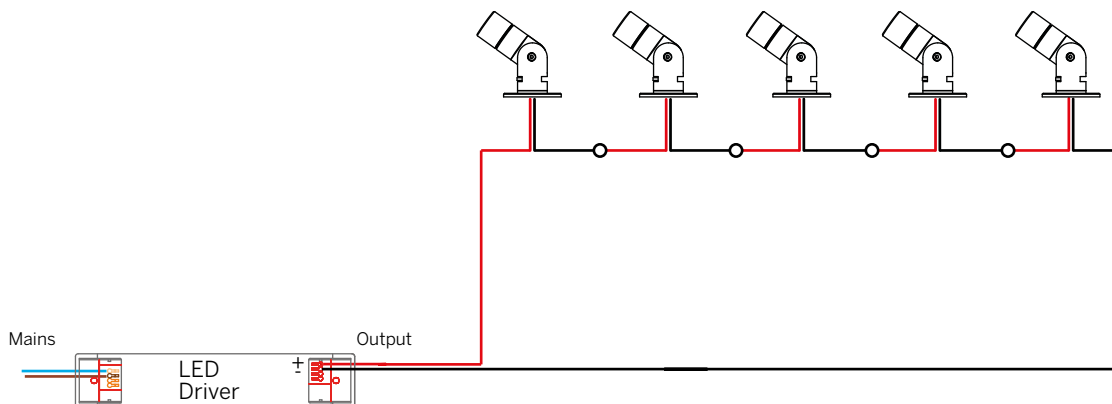
Details

Very Narrow Optic (VN)



Wiring

Series Wiring



Note that while constant current light sources can be wired in series, the number of fittings that can be wired in series is limited by the forward voltage and wattage of the LED.

Each Surf Type S is supplied with 1 x Type S LED which has a total forward voltage of 2.85V and wattage of 1.4W when driven at 500mA.

Driver specified separately.