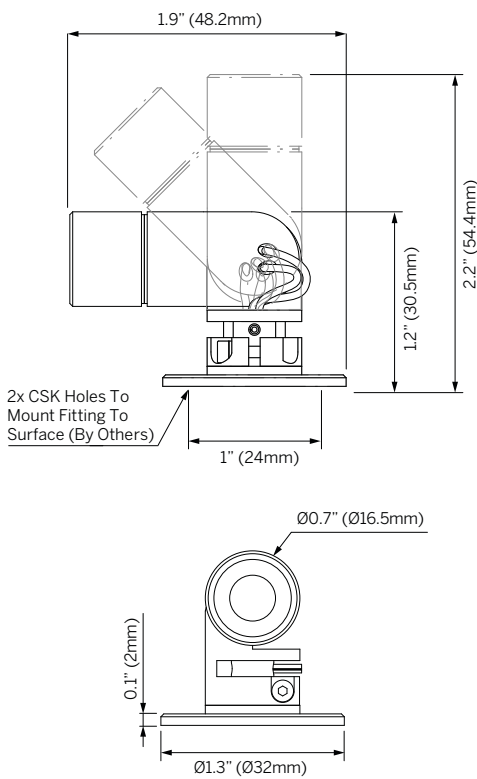


# Surf Type S



### Luminaire

- Interior rated spot light with interchangeable optics. Adjustable and lockable miniature surface mount luminaire for museum showcase lighting, retail, hospitality and other close work applications.
- Surface mounted.
- Precision machined from 70 - 90% recycled aluminum.
- 95+ CRI with multiple CCTs and optics available.

### Mounting

- SM = Surface Mounted

### Power<sup>1</sup>

- 1.4 = 1.4W (137lm initial at 500mA, 2.85Vf)

### CCT (95+ CRI)<sup>2</sup>

- 927 = 2700K
- 930 = 3000K
- 935 = 3500K
- 940 = 4000K

### Optic

- VN = Very Narrow (13°)<sup>3</sup>
- N = Narrow (16°)
- M = Medium (25°)
- F = Flood (40°)
- WF = Wide Flood (47°)
- E = Elliptical (26° x 39°)

### Finish (interior always black)

- CA = Clear Anodized
- W = Pure White, RAL9010
- BA = Black Anodized
- CF = Custom finish, specify RAL

### Remote Driver<sup>4</sup>

- ECO30W-500 = 0-10V EldoLED ECOdrive 30W for 1 fixture
- SOLO50W-500 = 0-10V EldoLED SOLOdrive 50W for 1-2 fixtures
- SOLO100W-500 = 0-10V EldoLED SOLOdrive 100W for 1-4 fixtures

1. Wattage shown is for LED only, system wattage varies depending on driver selected.  
 2. See photometric data sheet for delivered lumens.  
 3. See page 3 for details.  
 4. See driver information for details.

### Ordering Information

Model	Mounting	Power <sup>1</sup>	CRI/ CCT <sup>2</sup>	Optic	Finish	+	Driver <sup>4</sup>
MS-ST5	SM	1.4					
MS-ST5	SM	1.4	927 930 935 940	VN <sup>3</sup> N M F WF E	CA W BA CF		ECO30W-500 SOLO50W-500 SOLO100W-500

