

Luminaires must be installed by a qualified electrician. Check with local and national codes for proper installation.



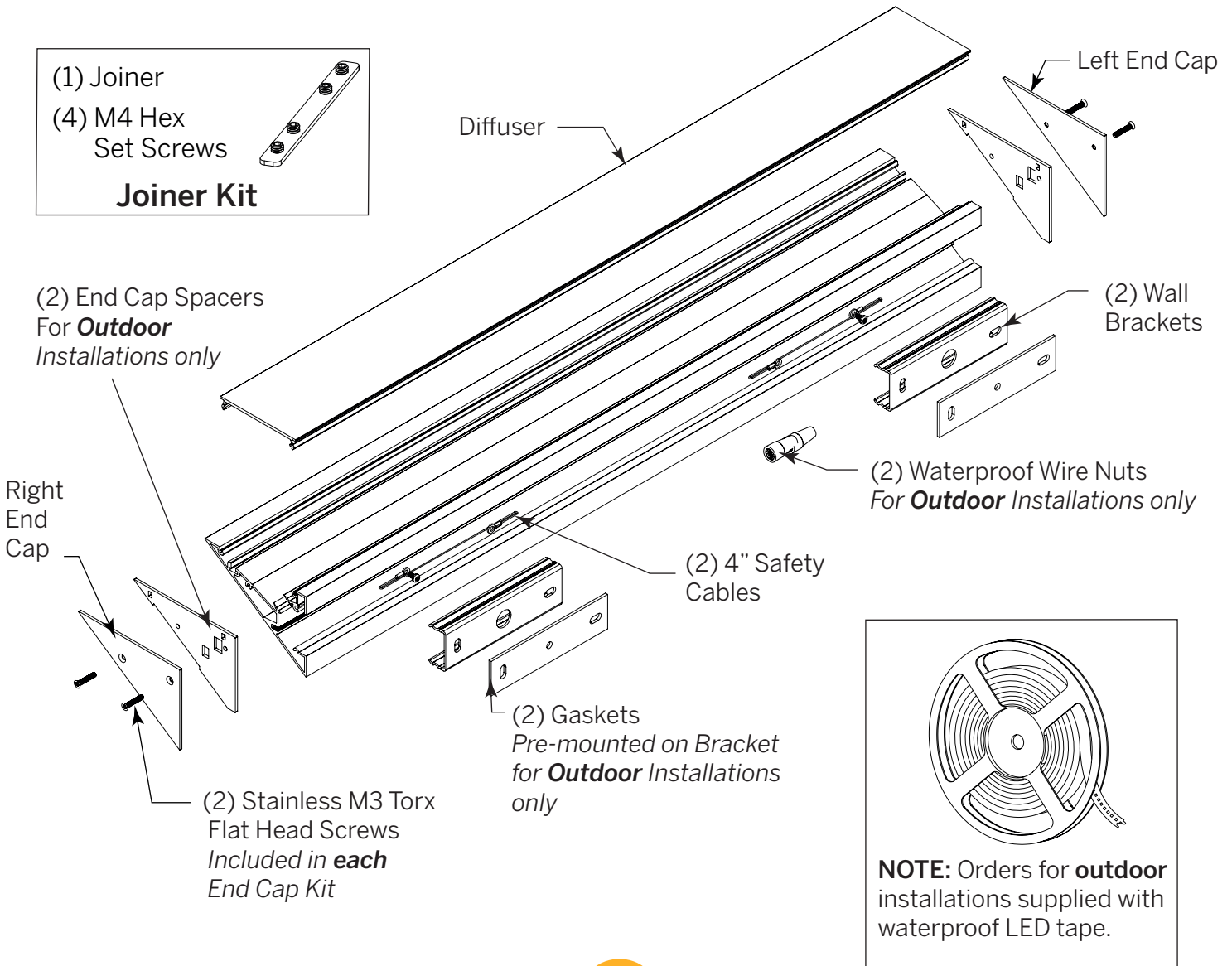
To prevent electrical shock disconnect electrical supply before installation or servicing.

Never connect a live fixture!!!

Contractor is responsible for adequately reinforcing walls and/or ceilings to support fixture weight. Provide blocking when necessary.

Step 1 - Open the Box

Unpack Luminaire unit(s). The unit(s) will have some or all the following items. A **Stand-Alone unit**, has pre-installed End Caps and LED Tape. A **Multi Unit Run** is supplied with End Cap Kits for start and end of run, and a reel of LED Tape for the contractor to install, as well as one Joiner Kit per unit. The Quick-Ship Stand-Alone Luminaire also requires LED Tape installation.



NOTE:

Incoming power feed (and control) cables may enter on either side of fixture in the case of a stand-alone unit, or either side of a multi unit run. Determine the appropriate side for your installation and apply directions accordingly.

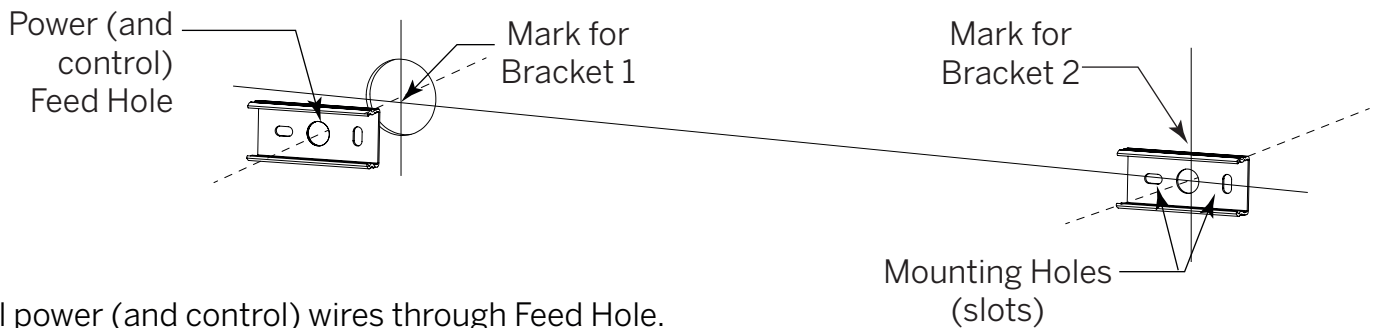
Step 2a - **Surface Prep** - *Indoors*

- a** Locate and draw centerline of fixture on surface. Ensure that centerline is straight and level. Mounting Brackets will be installed on that line. Minimum (2) Brackets per fixture; maximum offset 36" on center.

IMPORTANT:

If installing a **Multi Unit Run**, mark the surface **for the entire run** along the centerline. Minimum (2) Brackets per fixture; Maximum offset 36" on center.

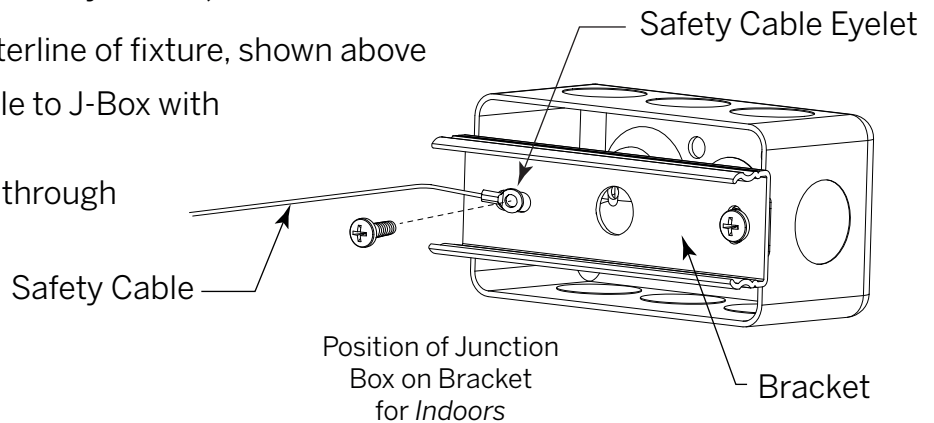
- b** Determine on which side power (and control) cables will enter. Drill an appropriately sized hole at that location.



- c** Pull power (and control) wires through Feed Hole.

If using a **Junction Box** (supplied by others)

- a** Mount J-Box in surface on centerline of fixture, shown above
- b** Mount Bracket and Safety Cable to J-Box with screws (supplied by others).
- c** Pull power (and control) wires through Feed Hole.



Step 2b - **Surface Prep** - *Outdoors*

- a** Locate placement by following directions in Step 2a **a** and **b**.

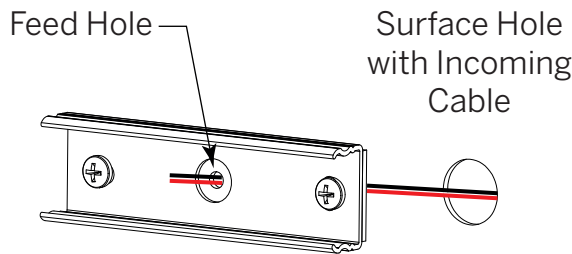
NOTE:

Fixtures for Outdoor Installation, Gaskets will be pre-mounted on Wall Brackets at factory.

IMPORTANT:

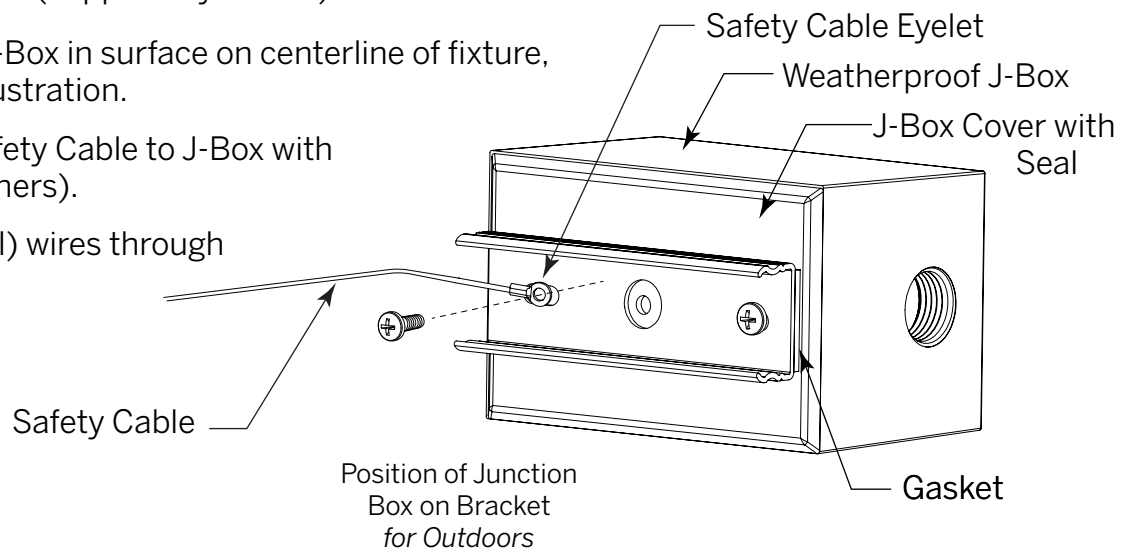
If installing a **Multi Unit Run**, mark the surface **for the entire run** along the centerline. Minimum (2) Brackets per fixture; Maximum offset 36" on center.

- b** Pull power (and control) wires through Feed Hole.



If using a **Junction Box** (supplied by others)

- a** Mount Weatherproof J-Box in surface on centerline of fixture, as shown in Step 2a illustration.
- b** Mount Bracket and Safety Cable to J-Box with screws (supplied by others).
- c** Pull power (and control) wires through Gasket Feed Hole.

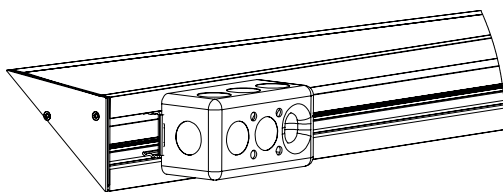
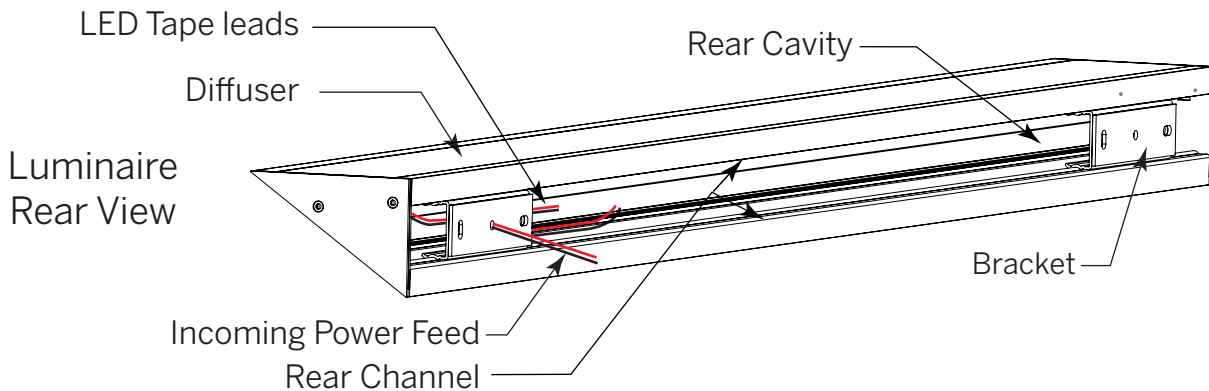
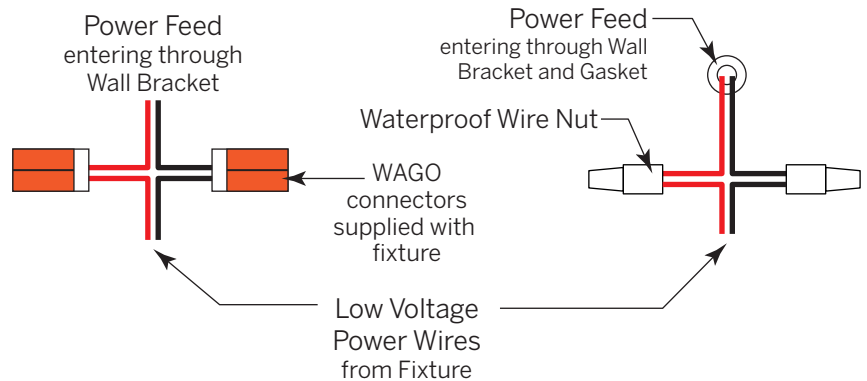


Need Help?

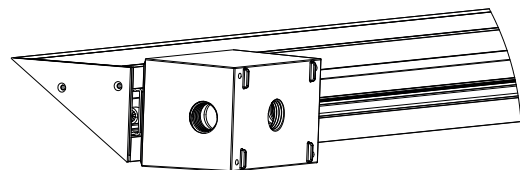
Step 3a - **Wiring and Mounting** - Stand-Alone Unit; Indoors/Outdoors

NOTE: Stand-Alone Units have LED Tape pre-installed at factory, except for Quick-Ship. If your order is for **Quick-Ship** fixture(s), remove diffuser and skip to **Step 5**.

- a** Join power (and control) wires at back of fixture with supplied WAGO connectors. In an **outdoors** installation, use supplied **Waterproof Wire Nuts**, as shown at right.
- b** Compress all wires and Safety Cables into Rear Cavity of fixture.
- c** Push Luminaire onto Brackets such that they click into Rear Channel. Center as necessary.



Horizontal Single Gang
Junction Box for
Indoor Installation

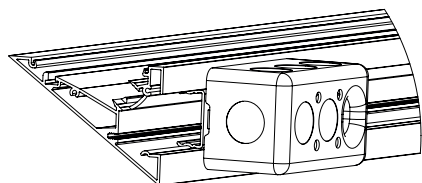
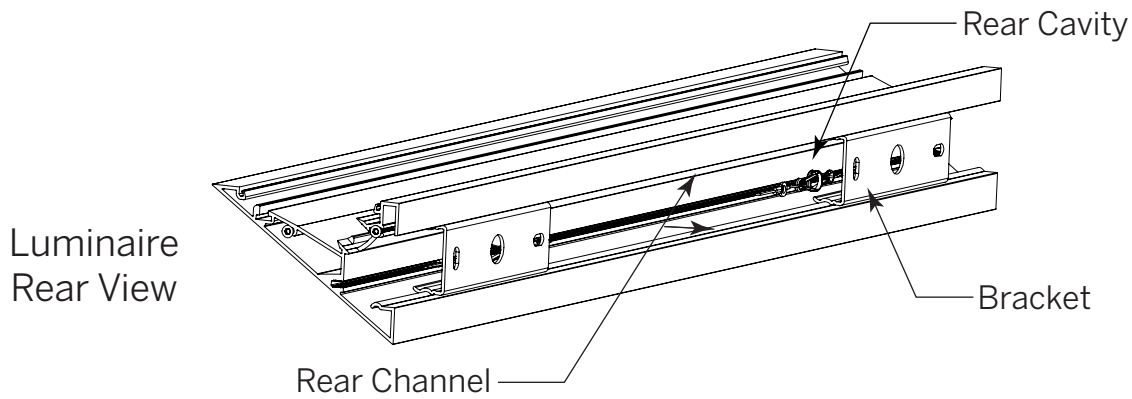
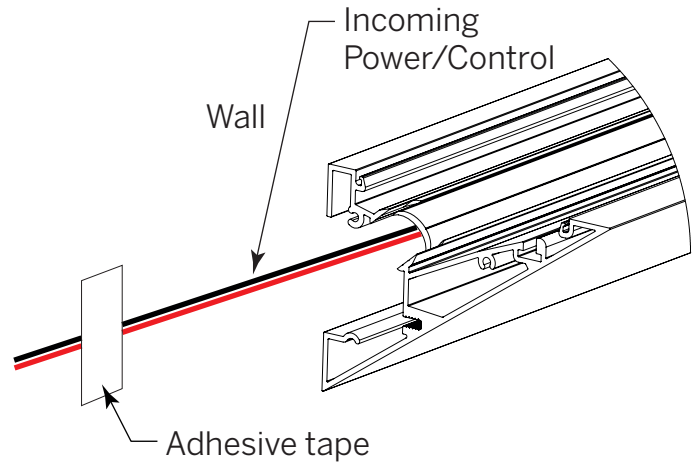


Horizontal Single Gang
Weatherproof Junction Box for
Outdoor Installation

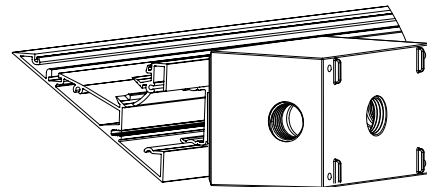


Step 3b - **Mounting** - Multi Unit Run; Indoors/Outdoors

- a** Keep incoming Power Feed handy for wiring (e.g., tape to wall, tape to fixture, etc.) as shown in illustration at right.
- b** Compress Safety Cables into Rear Cavity of fixture.
- c** Push Luminaire onto Brackets such that they click into Rear Channel. Center as necessary.
- d** Remove Diffuser.



Horizontal Single Gang
Junction Box for
Indoor Installation

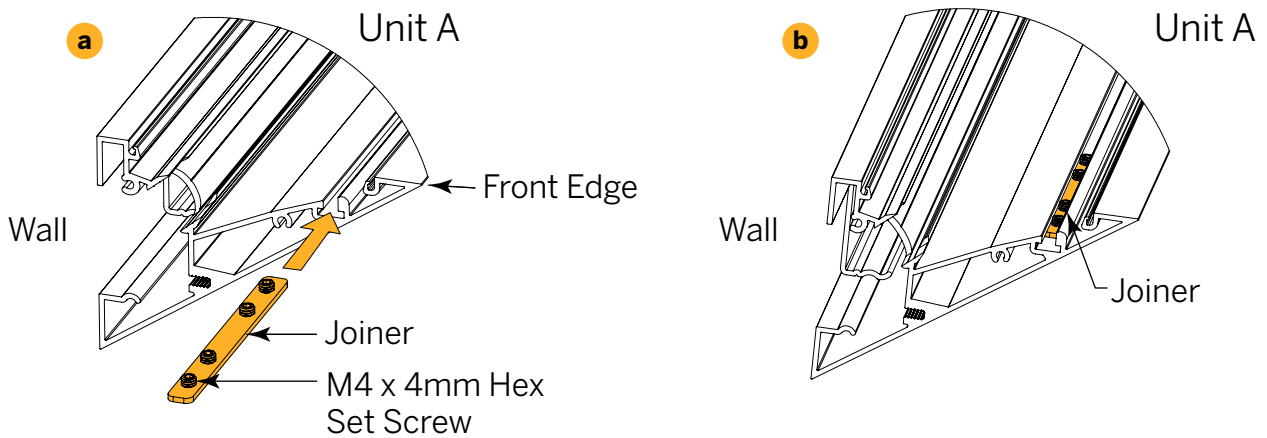


Horizontal Single Gang
Junction Box for
Outdoor Installation

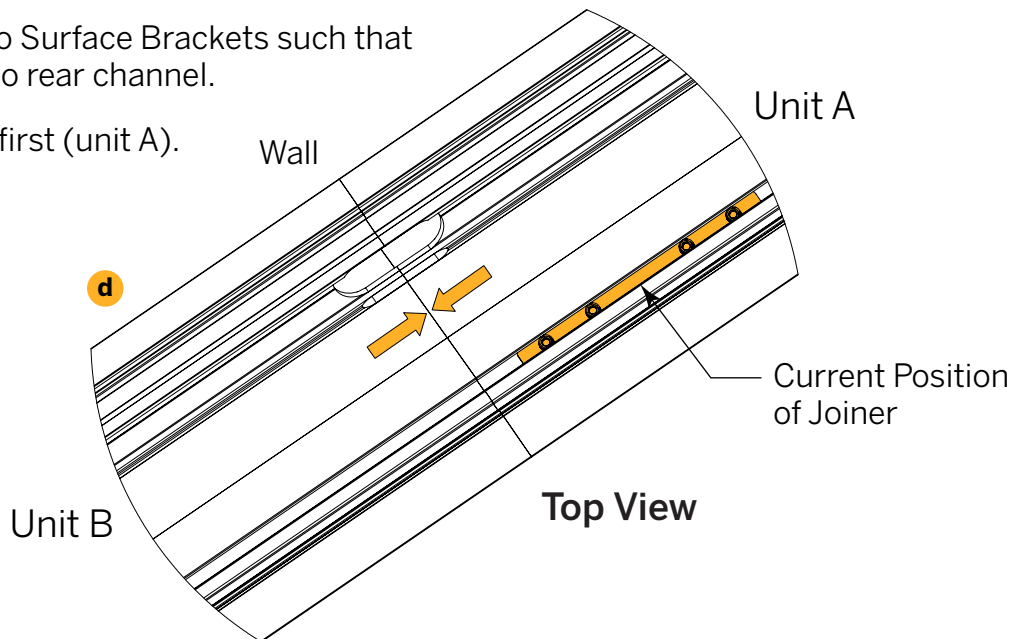


Step 4 - **Installing Additional Units with Joiners** on Multi Unit Runs

- a** Insert Joiner in Channel near front edge of first unit that has been mounted to wall.
- b** Slide Joiner fully past the end of profile.



- c** Push next unit (unit B) onto Surface Brackets such that mounted Brackets click into rear channel.
- d** Slide and butt unit B up to first (unit A).
- e** Remove Diffuser

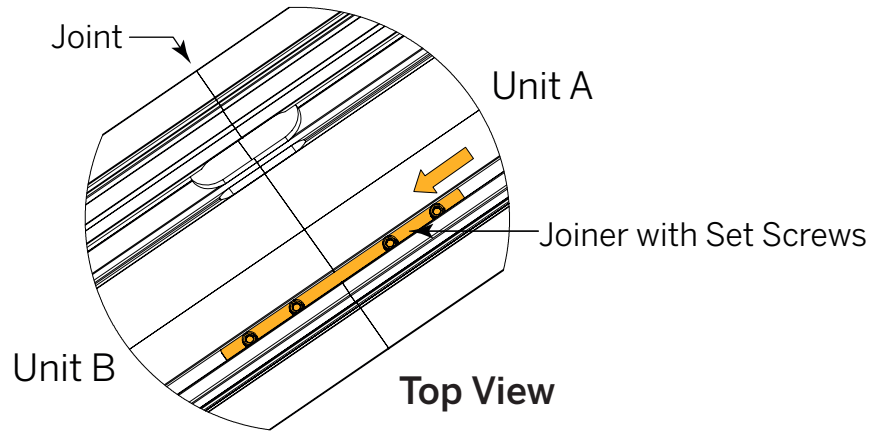


Step 4 - Continued

- f** Slide Joiner across Joint as shown at below right. Tighten Set Screws on Unit A, and then, drawing Unit B tightly against Unit A, tighten Set Screws on Unit B. Do not overtighten.

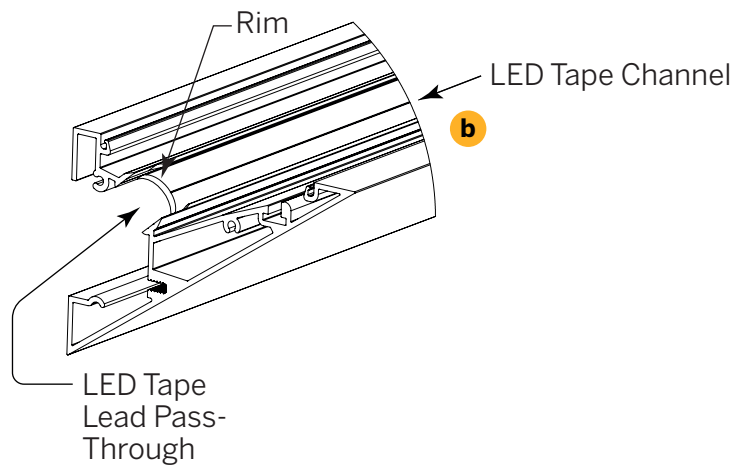
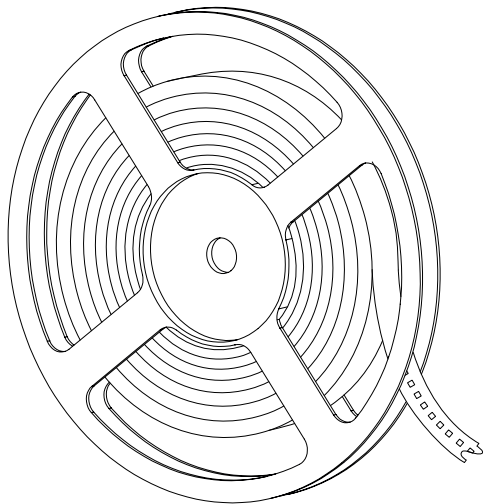
Use **2mm Hex** driver to tighten

- g** Repeat Steps 3b and 4 as needed until run is completed.



Step 5 - Installing LED Tape - Multi Unit Run & Quick-Ship Stand-Alone Fixture; Indoors/Outdoors

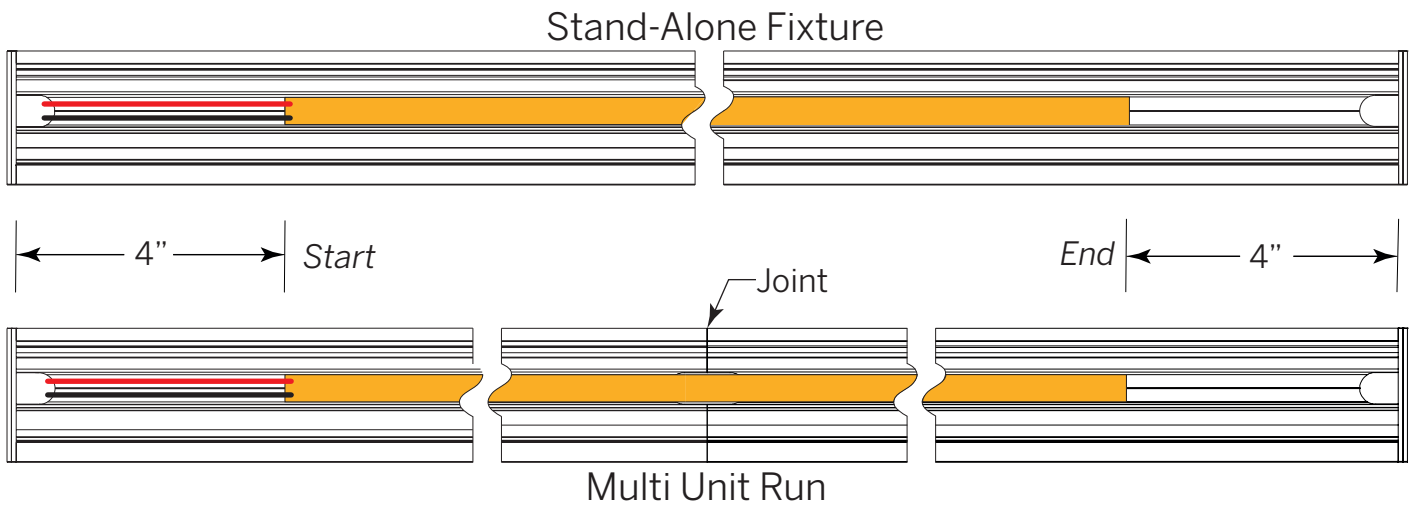
- a** LED Tape supplied on Reel.



Need Help?

Step 5 - Continued

- b** LED Tape Channel has a small V-groove that serves as a centerline. The correct continuous length of LED Tape has been supplied with your unit(s). This length is based on starting 4" from one end of the fixture/run (minus End Caps), and stopping 4" from the end. LED Tape supplied with 6" leads.



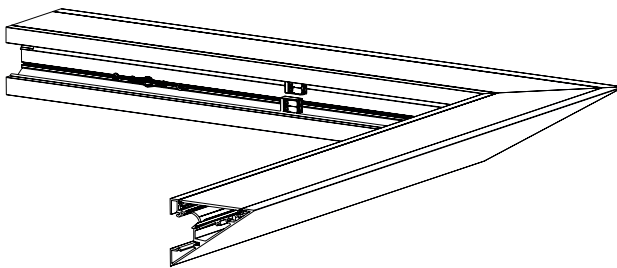
NOTE: Views are perpendicular to Tape Channel

- c** Hold Reel in one hand and firmly press Tape with the other as you move along the run. Lay Tape over all profile joints. **Do not** cut Tape into individual sections or trim.

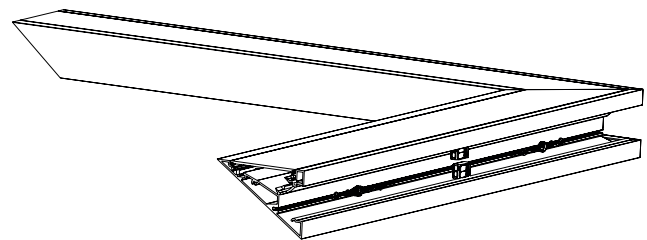
Step 6 - Corners within a Multi Unit Run

If your installation does not include any corners, skip to **Step 7**.

- a** There are two kinds of corners:



Raft Corner
(Outside Corner)

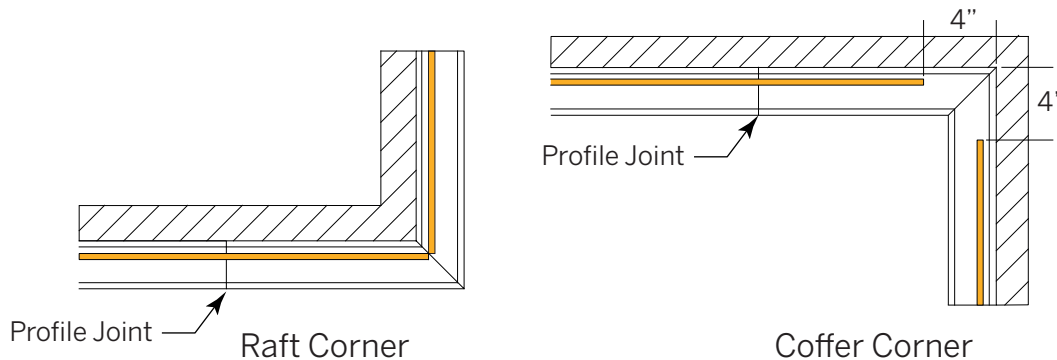


Coffer Corner
(Inside Corner)



Step 6 - Continued

- b** Although similar, LED Tape is applied differently:

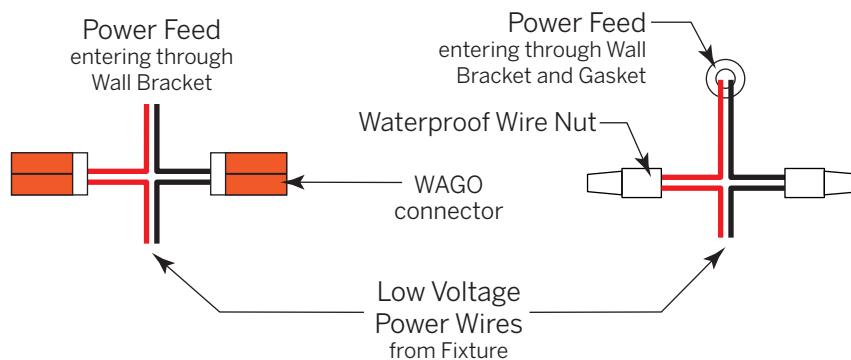


The reason for this is that were the LED Tape to continue into the center of the Coffer Corner, **the walls opposite** the ends of each Tape **would be brighter** than the rest of the wall parallel to Tape.

In both cases, the supplied length of LED Tape leading *into a corner* will stop at the proper distance. Similarly, the tape leading *out of the corner* will stop at the proper distance, as long as the 4" rule is followed.

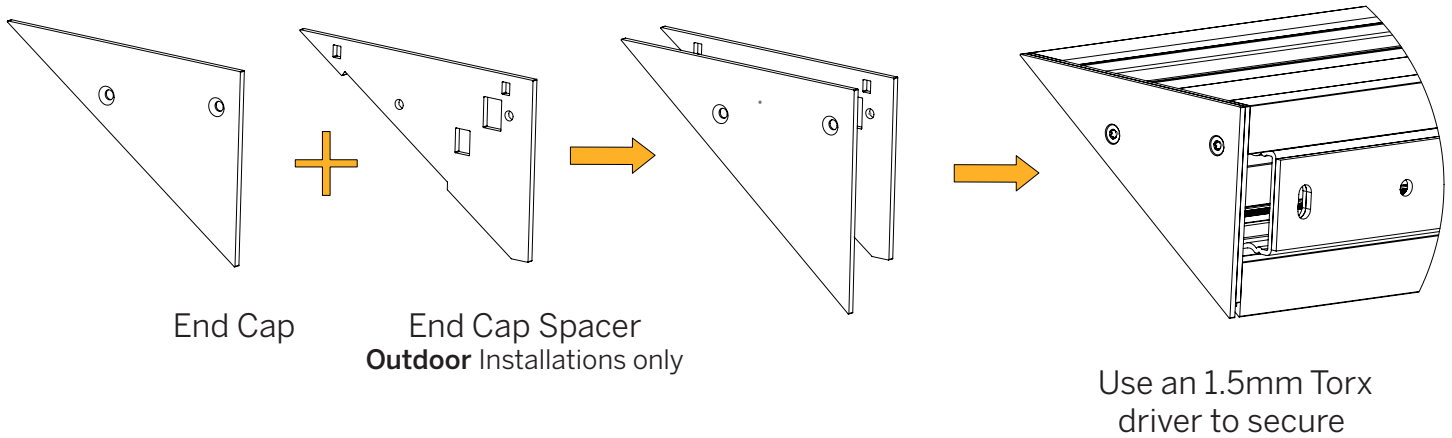
Step 7 - Wiring

- a** Insert power (and control) leads from LED Tape through Pass-Through and join with feed wires from wall with supplied WAGO connectors. In an **outdoors** installation, use supplied **Waterproof Wire Nuts**, as shown below.
- b** Press connected wires into side of fixture.



Step 8 - **Installing End Caps** on a Multi Unit Run

- a** Install End Caps on first and last units at the beginning and end of run, respectively. In an Outdoor Installation the End Cap consists of two parts. The Spacer mounts on the fixture end first, followed by the End Cap. Mounting Screws supplied in End Cap Kit.



- b** Replace diffusers on all units of run.

