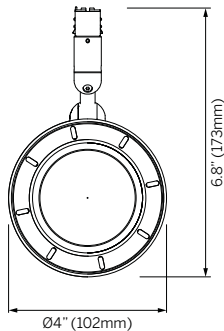
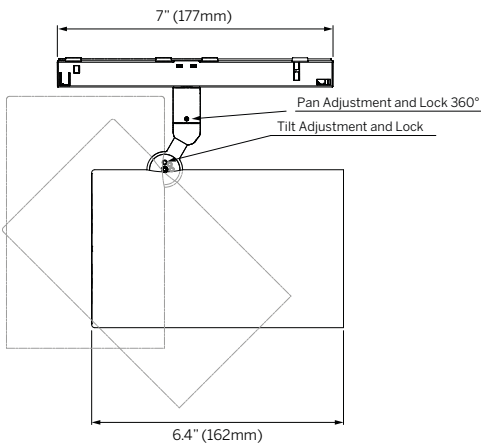


# ZTA.100 LV Stucchi Track



### Luminaire

- Interior rated low voltage track spot light with zoomable lens or fixed focus
- Track mounted (Stucchi Multisystem Evo - Low Voltage Track).
- Precision machined from 70 - 90% recycled aluminum.
- 95+ CRI with multiple CCTs and optics available.
- Fixture includes 0-10V dimming, driver remote.

### Mounting<sup>1</sup>

- ST = Stucchi Multisystem Evo - Low Voltage Track

### Power<sup>2</sup>

- 36 = 36W (3850lm initial at 1050mA, 37V)

### CCT (95+ CRI)<sup>3</sup>

- 927 = 2700K
- 930 = 3000K
- 935 = 3500K
- 940 = 4000K

### Optic

- N = Narrow (22°)
- M = Medium (25°)
- F1 = Flood 1 (32°)
- F2 = Flood 2 (46°)
- WF = Wide Flood (61°)
- WW = Wall Wash (77° x 36°)

### Finish (fixture and track adapter) (interior always matte black)

- W = Pure White, RAL9010
- BL = Matte Black, RAL9005
- CF = Custom finish, specify RAL

### Options<sup>4,5</sup>

- SCS = Slash Cut Snoot
- SNT = Straight Snoot
- BD = Barn Doors

### Accessories<sup>4</sup>

- CL = Clear Lens
- DL = Diffused Lens
- HCL = Honeycomb Louver
- SOL = Solite Lens
- SHS = Sharp Spread Lens
- SOS = Soft Spread Lens

### Remote Driver (fixture includes 0-10V dimming)<sup>6</sup>

- IL-DB12-LED-48002-UNV = Dry location enclosure 13.25" x 5" x 2.25" with CV Driver, 96W, 48VDC, 120/277V, Class 2

1. Order track separately. See Stucchi LV Track data sheet for details.
2. Wattage shown is for LED only, system wattage varies depending on driver selected.
3. See photometric data sheet for delivered lumens.
4. Holds one option or accessory. See options on page 4 and accessories on page 6 for details.
5. Outside same finish as fixture, inside matte black.
6. Do not load driver beyond 76.8W. See driver information for details. Additional drivers available. contact factory.

Ordering Information									
Model	Mounting <sup>1</sup>	Power <sup>2</sup>	CRI/CCT <sup>3</sup>	Optic	Finish	Options <sup>4,5</sup>	Accessories <sup>4</sup>	+	Driver <sup>6</sup>
MS-ZTA100LV	ST	36	927 930 935 940	N M F1 F2 WF WW	W BL CF	SCS SNT BD	CL DL HCL SOL SHS SOS		IL-DB12-LED-48002-UNV

