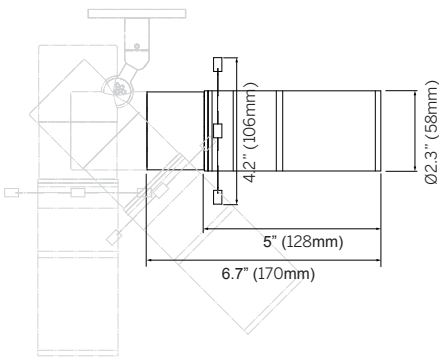
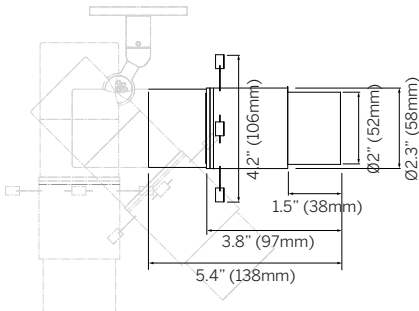


ZTA.50 Surface Framer



Adjustable Beam (17-33.4°)



Fixed Beam (53°)

Luminaire

- Interior rated track spot light with fixed or adjustable framer.
- Surface or pole clamp mounted.
- Precision machined from 70 - 90% recycled aluminum.
- 95+ CRI with multiple CCTs and optics available.

Mounting

- SM = Surface Mounted
- PC = Pole Clamp (clamp only, contact us for custom pole options)¹

Power²

- 12 = 12W (1513lm initial at 350mA, 36.9Vf)

CCT (95+ CRI)³

- 927 = 2700K
- 930 = 3000K
- 935 = 3500K
- 940 = 4000K

Optic

- 17-33 = Adjustable 17-33°
- 53 = Fixed 53°

Finish (interior always matte black)

- W = Pure White, RAL9010
- BL = Matte Black
- CF = Custom finish, specify RAL

Options

- GBS = Gobo Single Color
- GBD = Gobo Double Color

Remote Driver⁴

- ECO30W-350 = 0-10V EldoLED ECOdrive 30W for 1 fixture
- SOLO50W-350 = 0-10V EldoLED SOLOdrive 50W for 1-2 fixtures (1 per output)
- SOLO100W-350 = 0-10V EldoLED SOLOdrive 100W for 1-4 fixtures (1 per output)

1. See page 5 for details.
2. Wattage shown is for LED only, system wattage varies depending on driver selected.
3. See photometric data sheet for delivered lumens.
4. See driver information for details.

Ordering Information

MS-ZTA50FR		12						
Model	Mounting	Power ²	CRI/ CCT ³	Optic	Finish	Options	+	Driver ⁴
MS-ZTA50FR	SM PC ¹	12	927 930 935 940	17-33 53	W BL CF	GBS GBD		ECO30W-350 SOLO50W-350 SOLO100W-350

